

## MONITORING REPORT

### **JI0077 - CMM utilisation on the coal mine Shcheglovskaya-Glubokaya of the State Holding Joint-Stock Company „GOAO Shakhtoupravlenye Donbass“**

**Monitoring Report 03**  
Monitoring period  
16/03/2011 to 30/04/2012

Version 4  
20 July 2012

#### **CONTENTS**

- A. General project activity and monitoring information
- B. Key monitoring activities
- C. Quality assurance and quality control measures
- D. Calculation of GHG emission reductions

#### **Annexes**

- Annex 1: References
- Annex 2: Technical drawing
- Annex 3: Energy and material flowchart including metering positions
- Annex 4: Deviation from the monitoring plan as stated in the PDD
- Annex 5: Differences between the determined PDD and implemented project
- Annex 6: History of the document

## SECTION A. General project activity information

### A.1 Title of the project activity:

CMM utilisation on the coal mine Shcheglovskaya-Glubokaya of the State Holding Joint-Stock Company „GOAO Shakhtoupravlenye Donbass“

Table - 1 Parties involved in the project

Party involved (*) (host) indicates a host Party)	Legal entity project participant (as applicable)	Please indicate if the Party involved wishes to be considered as project participant (Yes/No)
Netherlands	Carbon-TF B.V.	no
Ukraine (host)	PUBLIC JOINT STOCK COMPANY “COLLIERY GROUP “DONBAS” <sup>1</sup>	no

### A.2. JI registration number:

**UA2000015, JI0077**

The project is approved as JI-project since 08/12/2009.

([http://ji.unfccc.int/JI\\_Projects/DeterAndVerif/Verification/FinDet.html](http://ji.unfccc.int/JI_Projects/DeterAndVerif/Verification/FinDet.html))

Details of the project approval can be found under Annex I of this Monitoring Report.

### A.3. Short description of the project activity:

In this project CMM (coal mine methane), which has been sucked out of the active coal mine “Shcheglovskaya-Glubokaya”, has been utilised in upgraded previous coal boilers, a ventilation air heater, a flare, a cogeneration unit and an emergency generator. The methane has been burned to less harmful CO<sub>2</sub>. The units have generated heat and power which have displaced conventionally produced heat and power and gained an additional amount of CO<sub>2</sub> reductions.

The ventilation air heater was working only for short period of time from November 2011 till March 2012.

The emergency generator was not working during this monitoring period.

The summer boiler house worked until 04/10/2011, after that winter boiler house has worked until 17/04/2012.

As stated in the previous MR the flare has been shut down at 23/10/2010 due to lacking gas amount and has been moved to the Coal Mine Nr.22 Kommunaraskaya, JI0078 at 29/10/2010. In September 2011 an identical flare has been re-installed and re-started operation at 09/09/2011 (act was provided to verifier).

The total CH<sub>4</sub>-utilisation remained at the level of the last monitoring period.

---

<sup>1</sup> The name of project owner changed to PUBLIC JOINT STOCK COMPANY “COLLIERY GROUP “DONBAS”, see Annex 5 for justification

**MONITORING REPORT FORM**

*Table - 2 Amount of methane utilised for heat and power generation*

<b>Unit</b>	<b>period</b>	<b>CH<sub>4</sub> [t/period]</b>	<b>Heat Generation [MWh]</b>	<b>Power Generation [MWh]</b>
Boilers	16/03/2011-30/04/2012	3,701	13,875	-
Ventilation Air Heater	16/03/2011-30/04/2012	185	2,526	-
Flare	16/03/2011-30/04/2012	1,128	-	-
Cogeneration unit	16/03/2011-30/04/2012	1,440	-	6,403
Emergency generator	16/03/2011-30/04/2012	0	-	0
<b>Total</b>	<b>2011-2012</b>	<b>6,454</b>	<b>16,401</b>	<b>6,403</b>

**A.4. Monitoring period:**

Start date        16/03/2011

End date         30/04/2012

Start day and end day included.

**A.5. Methodology applied to the project activity (incl. version number):**

**A.5.1. Baseline methodology:**

The approved consolidated methodology ACM0008 / Version 03 "Consolidated baseline methodology for coal bed methane and coal mine methane capture and use for power (electrical or motive) and heat and/or destruction by flaring") has been used to identify the baseline scenario of the proposed JI project [ACM0008].

According to ACM0008 the methodological "Tool to determine project emissions from flaring gases containing methane", EB 28 Meeting report, Annex 13, has been taken for the determination of the project emissions from flaring. In difference to the flaring tool, a combustion efficiency of 99.5%, according to the IPCC 1996 guidelines, has been taken into account instead of the default value of 90% as given in the flaring tool.

**A.5.2. Monitoring methodology:**

A monitoring plan provided by the "Approved consolidated baseline methodology ACM0008", Version 03, Sectoral Scope: 8 and 10, EB28 is applied to the project [ACM0008]. According to ACM0008 the methodological "Tool to determine project emissions from flaring gases containing methane", EB 28 Meeting report, Annex 13, has been taken for the determination of the project emissions from flaring. In difference to the flaring tool, a combustion efficiency of 99.5%, according to the IPCC 1996 guidelines, has been taken into account instead of the default value of 90% as given in the flaring tool. This is according to the PDD.

**MONITORING REPORT FORM**

Applicability requirements for the monitoring plan of the ACM008 methodology are identical to respective requirements of the baseline setting.

**A.6. Status of implementation including time table for major project parts:**

The project has not been implemented as planned in the PDD. One of the two planned flares was not installed due to lack of funds and gas amount.

*Table - 3 Status of Implementation*

<b>Units:</b> three identical upgraded previously coal fired boilers	
<b>Manufacturer:</b> Biysk Boiler Plant	
<b>Type:</b> DKV-10-13	
<b>Serial Numbers</b> (not visible): 470 (No 1), 11781 (No 3), 12645 (No 4)	
<b>Inventory Numbers</b> (visible): 227655 (No 1), 227654 (No 3), 227652 (No 4)	
<b>Capacity:</b> 3-7 Gcal/h (approx. 7.6 MW)	
<b>Efficiency heat generation:</b> 90%	
<b>Activity Inventory Number 227652 (No 4)</b>	<b>Status</b>
year of construction	1967
last major overhaul	2009 – Donbassvugleavtomatika
Last inspection	2012 – Remen
Upgrade, initial operation, first tests	Summer 2006
Start of operation	October 2006
Planned installation date [PDD]	10/2006
<b>Activity Inventory Number 227654 (No 3)</b>	<b>Status</b>
year of construction	1967
Last inspection	2012 – Remen
Upgrade, initial operation, first tests	Summer 2007
Start of operation	October 2007
Planned installation date [PDD]	10/2006
<b>Activity Inventory Number 227655 (No 1)</b>	<b>Status</b>
year of construction	1957
Last inspection	2012 – Remen
Upgrade, initial operation, first tests	Summer 2006
Start of operation	October 2006
Planned installation date [PDD]	10/2006
<b>Units:</b> two identical upgraded previously coal fired boilers	
<b>Manufacturer:</b> Biysk Boiler Plant	
<b>Type:</b> E-1/9	
<b>Serial Numbers</b>	
<b>Inventar Numbers</b> (visible): 227656, 227657	
<b>Capacity:</b> 1 Gcal/h (approx. 1.167 MW)	
<b>Efficiency heat generation:</b> 89%	
<b>Activity Inventory Number 227656</b>	<b>Status</b>
year of construction	1992
last major overhaul	2008 - Ukrteploservis

**MONITORING REPORT FORM**

Last inspection	2012 – Remen
Upgrade, initial operation, first tests	Summer 2006
Start of operation	Summer 2006
Planned installation date [PDD]	06/2006
<b>Activity Inventory Number 227657</b>	<b>Status</b>
year of construction	1992
Last inspection	2012 – Remen
Upgrade, initial operation, first tests	Summer 2006
Start of operation	Summer 2006
Planned installation date [PDD]	06/2006

The heat meter B-2, which should be connected to boiler #3 produced no reasonable data within the period. Actually zero is taken into account as produced heat amount for B-2.

<b>Unit:</b> ventilation air heater (VAH)	
<b>Manufacturer:</b> Kamensk Plant	
<b>Type:</b> WGS 1,0	
<b>Serial Number:</b> 3, 4, 8, 10	
<b>Capacity:</b> four modules a 1 MW	
<b>Efficiency heat generation:</b> 98.5%	
<b>Activity</b>	<b>Status</b>
year of construction	1997-1999
Last inspection	2012 - Remen
Upgrade, initial operation, first test	Summer 2006
Start of operation	01/11/2006
Planned installation date [PDD]	11/2006

The ventilation air heater consists of four identical modules, three of which can be in operation simultaneously due to restrictions from the ventilation shaft. So a maximum of 3 MW heat capacity results.

<b>Unit:</b> Flare	
<b>Manufacturer:</b> Pro2 Anlagentechnik GmbH	
<b>Type:</b> KGUU 5/8	
<b>Serial Number:</b> 1192	
<b>Capacity:</b> 8 MW	
<b>Efficiency methane combustion:</b> 99.5%	
<b>Combustion temperature:</b> 850°C	
<b>Activity</b>	<b>Status</b>
Year of construction	2004
Last inspection	2011 – Eco-Alliance
Planned installation date [PDD]	03/2009
Start of operation	29/05/2009
End of operation	October 2010
Deinstallation date:	29/10/2010
Re-installation date:	September 2011
Re-start of operation	09/09/2011

**MONITORING REPORT FORM**

<b>Unit:</b> cogeneration unit	
<b>Manufacturer:</b> Pro2 Anlagentechnik GmbH using a gas engine from Deutz AG	
<b>Type:</b> NC620K16	
<b>Serial Number:</b> 146401	
<b>Capacity:</b> 3.750 MW firing, 1.35 MW <sub>el</sub> , 0.93 MW <sub>th</sub>	
<b>Activity</b>	<b>Status</b>
Year of construction	2000
Last major overhaul	September 2009
Last inspection	2011 – Eco-Alliance
Date of installation	October 2009
Start of operation	29/10/2009
Planned installation date [PDD]	06/2009

<b>Unit:</b> emergency generator	
<b>Manufacturer:</b> Pervomaysk Diesel Factory	
<b>Type:</b> BGZHCHN 25-34-I (БГЖЧН 25-34-I)	
<b>Serial Number:</b> IFYUYA (ИФЮЯ) 1440000 103	
<b>Capacity:</b> approx. 1.111 MW firing, 0.4 MW <sub>el</sub>	
<b>Activity</b>	<b>Status</b>
Year of construction	1996
Last major overhaul	n.a.
Last inspection	n.a.
Start of operation	07/2006
Planned installation date [PDD]	07/2006

The coordinates given in the PDD uses the SK-42 reference system which uses a slightly different reference ellipsoid than the WGS84 system used by Google. The SK-42 system and the substantial cartography are still in use in the most CIS countries and Ukraine too.  
 The WGS84 coordinates are: 47°03'45" N, 37°51'55" E

*Table - 4 Implementation plan*

<b>unit</b>	<b>installation date (PDD)</b>	<b>firing capacity</b>	<b>Date of installation or envisaged new date of installation new timetable</b>
boiler No: 1	10/2006	7,600 kW	October 2006
boiler No: 2	10/2006	7,600 kW	October 2006
boiler No: 3	10/2007	7,600 kW	October 2007
summer boiler 1	6/2006	700 kW	Summer 2006
summer boiler 2	6/2006	700 kW	Summer 2006

**MONITORING REPORT FORM**

ventilation air heater	11/2006	3,000 kW	November 2006
emergency power generation unit	07/2006	400 kW total ..160 KW CMM	July 2006
flare No: 1	03/2009	5,000 kW	March 2009 removed in October 2010 re-installed in September 2011
flare No: 2	09/2009	5,000 kW	<i>pending</i>
cogeneration unit	06/2009	1,350 kW <sub>el</sub>	October 2009

**A.7. Intended deviations or revisions to the registered PDD:**

There were no deviations or revisions to PDD during this monitoring period.

**A.8. Intended deviations or revisions to the registered monitoring plan:**

A revised monitoring plan has been provided. See <Revised Monitoring Plan-SG.V6a.pdf>

The calculation of the emission reductions is not calculated on a yearly basis, but for an individual period. See A.4. for detailed data.

Flow data and flare efficiency as well as the methane amount destroyed by flaring MD<sub>F1</sub> are calculated in 15 min. intervals in Excel sheets. The main emissions variables for project emissions, baseline emissions and emissions reductions are calculated on a monthly basis. Yearly sums and a total sum for the monitoring are calculated.

The formula for the calculation of project emissions from uncombusted methane has been updated. Formulae from the «Methodological “Tool to determine project emissions from flaring gases containing methane”» [AM\_Tool\_07]) have been applied, see Annex 4. The calculation of project emissions from uncombusted methane from flaring is now more accurate.\*

The heat amount produced by the ventilation air heater and the power amount produced by the emergency power generation have not been measured but calculated using the utilised methane amount. Additionally monitoring procedures applied during the monitoring period are described in Annex 3.\*

New source for CO<sub>2</sub> emission factor of fuel used for captive power or heat was taken for more applicability as it was published by national authority. See A.4. for detailed data.

*\*- these deviations were determined during previous monitoring periods and are given for information*

**A.9. Changes since last verification:**

The flare has been re-installed in September 2011 and started operation on 09/09/2011.

**A.10. Person(s) responsible for the preparation and submission of the monitoring report:**

- PJSC “COLLIERY GROUP “DONBAS”
- Viktor Ivanovich Orlov, Chief Engineer

Eco-Alliance

- Vladimir Kasyanov, Managing Director
- Pavel Shelegheda, Deputy Director
- Aleksandr Didenko, Monitoring Assistant
- Viktor Avtonomov, Monitoring Assistant

Carbon-TF B.V

- Adam Hadulla, Director Business Development
- Karl Wöste, Senior Consultant



**MONITORING REPORT FORM**

**SECTION B. Key monitoring activities**

**B.1. Monitoring equipment:**

**B.1.2. Table providing information on the equipment used (incl. manufacturer, type, serial number, date of installation, date of last calibration, information to specific uncertainty, need for changes and replacements):**

*Table - 5 Monitoring equipment*

ID	Data	Method	Manufacturer	Classification	Serial number	Frequency of Measurement	Installation	Uncertainty level of data	Range	Calibration procedure	Last calibration	Calibrator
3	NMHC concentration	Gas chromatograph	Gazohrom	LHM-8MD	75	yearly	n. n.	2.5%	0-100%	The approved laboratory is responsible for regular recalibrations of the system.	07/11/2011	Donetskstand artmetrology
5	CMM amount to winter boilers	Standard orifice and pressure difference meter	ECO-Alliance	Calculation	none	Continuous record period 15 min.	31/03/2010		n.a.	Calculation	n.a	n.a.
5a	Gas flow (boiler)	Standard orifice	Himpe AG	Annular chamber standard orifice DIN 19205	56090	Continuous record period 15 min.	31/03/2010	0.74%	0-8,000 m <sup>3</sup> /h	Calibrations made using procedures of Sumystandart-metrology.  Calibration frequency – 1 year.	01/04/2011 17/04/2012	Sumystandart-metrology
5b	Pressure difference (boiler)	Pressure difference transmitter	Honeywell	STD-3000	09W33 C3180872001001	Continuous record period 15 min.	31/03/2010	0.0375 %	0-100 mbar	Initial calibration made using procedures of manufacturer.  Further calibrations made using procedures of Sumystandart-metrology.  Calibration frequency – 1 year.	01/04/2011 certificate № 1021 11/04/2012 certificate № 669	Honeywell  Sumystandart-metrology

**MONITORING REPORT FORM**

ID	Data	Method	Manufacturer	Classification	Serial number	Frequency of Measurement	Installation	Uncertainty level of data	Range	Calibration procedure	Last calibration	Calibrator
5c	Pressure (boiler)	Pressure transmitter	Siemens	SITRANS P Serie Z 7MF1564	AZB/X1110844	Continuous record period 15 min.	31/03/2010	0.25%	0-1.6 bar abs	Initial calibration made using procedures of manufacturer. Further calibrations made using procedures of Sumystandart-metrology. Calibration frequency – 1 year.	27/05/2011 certificate № 1203 11/04/2012 certificate № 664	SIEMENS  Sumystandart-metrology
5d	Temperature (boiler)	Resistance thermometer	JUMO	dTRANS TO1 Typ 90.2820/10	TN00515987 01266669010 08400007	Continuous record period 15 min.	31/03/2010	DIN EN 60751, Class B 0.3+0.005T	-40-120°C	Initial calibration made using procedures of manufacturer. Further calibrations made using procedures of Sumystandart-metrology. Calibration frequency – 1 year.	27/05/2011 10/04/2012	JUMO  Sumystandart-metrology
5e	CH <sub>4</sub> concentration (boiler)	Infrared meter	SIEMENS	ULTRAMAT23	N1-WN-925  Since 29/11/2011 N1-BN-065	Continuous record period 15 min.	29/11/2011	1.5 %	0-100% CH <sub>4</sub>	Calibrations made using procedures of Sumystandart-metrology. Calibration frequency – 1 year.	20/12/2010 for N1-WN-925 10/04/2012 for N1-BN-065	Sumystandart-metrology
6	CMM amount to VAH	Standard orifice and pressure difference meter	ECO-Alliance	calculation	none	Continuous record period 15 min.	31/03/2010	n.a.	n.a.	Calculation	n.a.	n.a.

**MONITORING REPORT FORM**

Monitoring Report Nr. 03 - Shcheglovskaya-Glubokaya

page 11

<b>ID</b>	<b>Data</b>	<b>Method</b>	<b>Manufacturer</b>	<b>Classification</b>	<b>Serial number</b>	<b>Frequency of Measurement</b>	<b>Installation</b>	<b>Uncertainty level of data</b>	<b>Range</b>	<b>Calibration procedure</b>	<b>Last calibration</b>	<b>Calibrator</b>
6a	Gas flow (VAH)	Standard orifice	Himpe AG	Annular chamber standard orifice DIN 19205	502741	Continuous record period 15 min.	31/03/2010	0.54 % DIN EN ISO 5167-T.1-4	0-1,200 m <sup>3</sup> /h	Calibrations made using procedures of Sumystandart-metrology.  Calibration frequency – 1 year.	01/04/2011 17/04/2012	Sumystandart-metrology
6b	Pressure difference (VAH)	Pressure difference transmitter	Honeywell	STD-3000	09W12 C3149127001001	Continuous record period 15 min.	31/03/2010	0.0375 %	0-100 mbar	Initial calibration made using procedures of manufacturer.  Further calibrations made using procedures of Sumystandart-metrology.  Calibration frequency – 1 year.	09/12/2011 certificate № 2353	Honeywell  Sumystandart-metrology
6c	Pressure (VAH)	Pressure transmitter	Siemens	SITRANS P Serie Z 7MF1564	AZB/X1110845	Continuous record period 15 min.	31/03/2010	0.25%	0-1.6 bar abs	Initial calibration made using procedures of manufacturer.  Further calibrations made using procedures of Sumystandart-metrology.  Calibration frequency – 1 year.	14/06/2011 certificate № 1138 11/04/2012 certificate № 663	SIEMENS  Sumystandart-metrology

**MONITORING REPORT FORM**

ID	Data	Method	Manufacturer	Classification	Serial number	Frequency of Measurement	Installation	Uncertainty level of data	Range	Calibration procedure	Last calibration	Calibrator
6d	Temperature (VAH)	Resistance thermometer	JUMO	dTRANS TO1 Typ 90.2820/10	TN00515987 01266669010 08400002	Continuous record period 15 min.	31/03/2010	DIN EN 60751, Class B 0.3+0.005T	-40-120°C	Initial calibration made using procedures of manufacturer.  Further calibrations made using procedures of Sumystandart-metrology.  Calibration frequency – 1 year.	14/06/2011	JUMO  Sumystandart-metrology
7	CMM amount to flare	Standard orifice and pressure difference meter	Pro2 Anlagentechnik GmbH	calculation	none	Continuous record period 15 min.	03/2009		n.a.	Calculation	None	none
7a	Gas flow (flare)	Standard orifice	Himpe AG	annular chamber standard orifice DIN 19205	486343	Continuous record period 15 min.	09/2011	0.75%  DIN EN ISO 5167-T.1-4	0-2,500 m <sup>3</sup> /h	Calibrations made using procedures of Sumystandart-metrology.  Calibration frequency – 1 year.	17/04/2012	Sumystandart-metrology
7b	Pressure difference (flare)	Pressure difference transmitter	Honeywell	STD-3000	0609 C2801413001002	Continuous record period 15 min.	09/2011	0.25%	0-100 mbar	Calibrations made using procedures of Sumystandart-metrology.  Calibration frequency – 1 year.	11/04/2012	Sumystandart metrology
7c	Pressure (flare)	Pressure transmitter	Noeding	P 121 E02-311	EX612124576	Continuous record period 15 min.	09/2011	0.25%	0-250 mbar, rel	Calibrations made using procedures of Sumystandart-metrology.  Calibration frequency – 1 year.	11/04/2012	Sumystandart metrology

**MONITORING REPORT FORM**

ID	Data	Method	Manufacturer	Classification	Serial number	Frequency of Measurement	Installation	Uncertainty level of data	Range	Calibration procedure	Last calibration	Calibrator
7d	Temperature (flare)	Resistance thermometer	JUMO GmbH	dTRANS TO1 Typ 90.2820/10	200411	Continuous record period 15 min.	09/2011	DIN EN 60751, Class B 0.3+0.005T	-50-250°C	Calibrations made using procedures of Sumystandart-metrology.  Calibration frequency – 1 year.	10/04/2012	Sumystandart metrology
7e	CH <sub>4</sub> concentration (flare)	Infrared meter	Pro 2 Anlagentechnik GmbH	BINOS 100	48987001	Continuous record period 15 min.	09/2011	1.5%	0-100% CH <sub>4</sub>	Initial calibration made using procedures of manufacturer. Further calibrations made using procedures of Sumystandart-metrology.  Calibration frequency – 1 year.  Calibrations made using procedures of Eco-Alliance every two weeks	10/04/2012	Sumystandart metrology  Eco-Alliance
8	CMM amount to cogeneration unit	Standard orifice and pressure difference meter	Pro2 Anlagentechnik GmbH	calculation	none	Continuous record period 15 min.	10/2009		n.a.	Calculation	n.a.	n.a.
8a	Gas flow (cogeneration unit)	Standard orifice	Himpe AG	annular chamber standard orifice DIN 19205	501029	Continuous record period 15 min.	10/2009	0.56 % DIN EN ISO 5167-T.1-4	0-1,200 m <sup>3</sup> /h	Calibrations made using procedures of Sumystandart-metrology.  Calibration frequency – 1 year.	01/04/2011 17/04/2012 passport to flow meter № 501029	Sumystandart metrology

**MONITORING REPORT FORM**

ID	Data	Method	Manufacturer	Classification	Serial number	Frequency of Measurement	Installation	Uncertainty level of data	Range	Calibration procedure	Last calibration	Calibrator
8b	Pressure difference (cogeneration unit)	Pressure difference transmitter	Honeywell	STD-3000	08W18 C3059154001002	Continuous record period 15 min.	10/2009	0.25%	0-100 mbar	Calibrations made using procedures of Sumystandart-metrology.  Calibration frequency – 1 year.	01/04/2011 certificate № 1020  11/04/2012 certificate №670	Sumystandart metrology
8c	Pressure (cogeneration unit)	Pressure transmitter	Noeding	P 121	EX812127132	Continuous record period 15 min.	10/2009	0.25%	0-250 mbar	Calibrations made using procedures of Sumystandart-metrology.  Calibration frequency – 1 year.	01/04/2011 certificate № 1022  11/04/2012 certificate № 681	Sumystandart metrology
8d	Temperature (cogeneration unit)	Resistance thermometer	JUMO GmbH	dTRANS TO1 Typ 90.2820/10	TN00515988 01264830010 08370001 (98023 for calibration)	Continuous record period 15 min.	10/2009	DIN EN 60751, Class B  0.3+0.005T	-40-120°C	Calibrations made using procedures of Sumystandart-metrology.  Calibration frequency – 1 year.	01/04/2011  10/04/2012 passport to Resistance thermometer № 98023	Sumystandart metrology
9	Flame temperature of the flare	Thermocouple	Herth GmbH	DIN 43733, Type S, PtRh-Pt	66315 since 10/11/2010  76538 since 11/10/2011	Continuous record period 15 min.	10/2010	DIN 43733, Class 2  0°C - 600°C +/-1.5 K  600°C - 1600°C +/- 0.25%	0-1,700°C	Initial calibration made using procedures of manufacturer.  None, thermocouple is supposed to be changed at least one time per year, according to the flaring tool	Isn't subject to calibration, as changes every year	Herth
10	Power production	Electricity meter	NZR	IGZ-FDWB7307	475072	Continuous, cumulative value  Read period daily	10/2009	Class 1 IEC 1036	n.a.	Calibration made using procedures of manufacturer using German Calibration Standards (Eichvorschriften)  Valid for 8 years.	2006	NZR

**MONITORING REPORT FORM**

ID	Data	Method	Manufacturer	Classification	Serial number	Frequency of Measurement	Installation	Uncertainty level of data	Range	Calibration procedure	Last calibration	Calibrator
10a	Power production	Electricity meter	Kuhse	KMU45B	82365	Continuous, cumulative value Read period daily	2008 2010	0.1% U 0.15% I	n.a.	Initial calibration made using procedures of manufacturer.*	02/02/2010	Kuhse
11	Heat production winter boilers	Calculation	ECO-Alliance	none	none	Continuous record period 15 min.	31/03/2010		n.a.	calculation	n.a.	n.a.
11a	Inlet temperature  one measurement for all three boilers 1,3,4	Resistance thermometer	AOZT «TERA»	TSP U 1-3 PT-100	09456	Continuous record period 15 min.	31/03/2010	0.5%	-50-250°C	Initial calibration made using procedures of manufacturer.  Further calibrations made using procedures of Sumystandart-metrology.  Calibration frequency – 1 year.	27/05/2011 10/04/2012 passport to Resistance thermometer № 09456	Manufacturer  Sumystandart metrology
11.4	Heat production boiler 4	Heat meter	ECO-Alliance	calculation	none	Continuous record period 15 min.	31/03/2010		n.a.	n.a.	n.a.	n.a.
11.4a	Water flow Boiler 4	Standard orifice	Lvivpribor	n.a.	4	n.a.	10/2009	Unknown, set to 2.5%)	0-400 m <sup>3</sup> /h	Yearly inspection.  Calibration made using procedures of Sumystandart-metrology.	29/12/2010 31/01/2012	Donetskstand artmetrology  Sumystandart metrology
11.4b	Pressure difference (boiler 4)	Pressure difference transmitter	Lvivpribor	DM3583M	19	Continuous record period 15 min.	10/2009	1.5%	0-25 kPa	Calibration frequency – 1 year.	29/12/2010 19/12/2011	Donetskstand artmetrology
11.4c	Indicator (boiler 4)	Chart Recorder	Lvivpribor	KSD-023	9056848	Continuous record period 15 min.	10/2009	1.0%	0-400 m <sup>3</sup> /h	Calibration frequency – 1 year.	29/12/2010 19/12/2011	Donetskstand artmetrology

**MONITORING REPORT FORM**

ID	Data	Method	Manufacturer	Classification	Serial number	Frequency of Measurement	Installation	Uncertainty level of data	Range	Calibration procedure	Last calibration	Calibrator
11.4d	Outlet temperature Boiler 4	Resistance thermometer	AOZT «TERA»	TSP U 1-3 PT-100	09444	Continuous record period 15 min.	31/03/2010	0.5%	-50-250°C	Initial calibration made using procedures of manufacturer.  Further calibrations made using procedures of Sumystandart-metrology.  Calibration frequency – 1 year.	27/05/2011  10/04/2012 passport to Resistance thermometer № 09444	Manufacturer  Sumystandart metrology
11.3	Heat production boiler 3	Heat meter	ECO-Alliance	calculation	none	Continuous record period 15 min.	31/03/2010		n.a.	n.a	n.a.	n.a.
11.3a	Water flow Boiler 3	Standard orifice	Lvivpribor	DM3583M	3	Continuous record period 15 min.	10/2009	Unknown, set to 2.5%	0-250 m³/h	Yearly inspection.  Calibration made using procedures of Sumystandart-metrology.	29/12/2010  31/01/2012	Donetskstand artmetrology  Sumystandart metrology
11.3b	Pressure difference (boiler 3)	Pressure difference transmitter	Lvivpribor	DM3583M	71329 Inventar Nr: 105621	Continuous record period 15 min.	10/2009	1.5%	0-25 kPa	Calibration frequency – 1 year.	29/12/2010  19/12/2011	Donetskstand artmetrology
11.3c	Indicator (boiler 3)	Chart Recorder	Lvivpribor	KSD-023	4014777	Continuous record period 15 min.	10/2009	1.0%	0-250 m³/h	Calibration frequency – 1 year.	29/12/2010  19/12/2011	Donetskstand artmetrology



**MONITORING REPORT FORM**

Monitoring Report Nr. 03 - Shcheglovskaya-Glubokaya

page 17

ID	Data	Method	Manufacturer	Classification	Serial number	Frequency of Measurement	Installation	Uncertainty level of data	Range	Calibration procedure	Last calibration	Calibrator
11.3d	Outlet temperature Boiler 3	Resistance thermometer	AOZT «TERA»	TSP U 1-3 PT-100	09448	Continuous record period 15 min.	31/03/2010	0.5%	-50-250°C	Initial calibration made using procedures of manufacturer.  Further calibrations made using procedures of Sumystandart-metrology.  Calibration frequency – 1 year.	27/05/2011  10/04/2012 passport to Resistance thermometer № 09448	Manufacturer  Sumystandart metrology
11.1	Heat production boiler 1	Heat meter	ECO-Alliance	calculation	none	Continuous record period 15 min.	31/03/2010		n.a.	n.a	n.a.	n.a.
11.1a	Water flow Boiler 1	Standard orifice	Lvivpribor	DM3583M	1	Continuous record period 15 min.	10/2009	Unknown, set to 2.5%	0-320 m³/h	Yearly inspection.  Calibration made using procedures of Sumystandart-metrology.	29/12/2010  31/01/2012	Donetskstand artmetrology  Sumystandart metrology
11.1b	Pressure difference (boiler 1)	Pressure difference transmitter	Lvivpribor	DM3583M	n.n. Inventar Nr: 101503	Continuous record period 15 min.	10/2009	1.5%	0-25 kPa	Calibration frequency – 1 year.	29/12/2010 19/12/2011	Donetskstand artmetrology
11.1c	Indicator (boiler 1)	Chart Recorder	Lvivpribor	KSD-023	8087123	Continuous record period 15 min.	10/2009	1.0%	0-320 m³/h	Calibration frequency – 1 year.	29/12/2010 19/12/2011	Donetskstand artmetrology

**MONITORING REPORT FORM**

ID	Data	Method	Manufacturer	Classification	Serial number	Frequency of Measurement	Installation	Uncertainty level of data	Range	Calibration procedure	Last calibration	Calibrator
11.1d	Outlet temperature Boiler 1	Resistance thermometer	AOZT «TERA»	TSP U 1-3 PT-100	09451	Continuous record period 15 min.	31/03/2010	0.5%	-50-250°C	Initial calibration made using procedures of manufacturer.  Further calibrations made using procedures of Sumystandart-metrology.  Calibration frequency – 1 year.	27/05/2011  10/04/2012 passport to Resistance thermometer № 09451	Manufacturer  Sumystandart metrology
12	CMM amount to summer boiler	Standard orifice and pressure difference meter	ECO-Alliance	calculation	none	Continuous record period 15 min.	05/06/2010		n.a.	Calculation	n.a	n.a.
12a	Gas flow (summer boiler)	Standard orifice	PRPE "Energoteh"	Annular chamber standard orifice DIN 19205	41/1	Continuous record period 15 min.	17/06/2010	None	58.49...300 m <sup>3</sup> /h	Initial calibration made using procedures of manufacturer. Further calibrations made using procedures of Sumystandart-metrology.  Calibration frequency – 1 year.	01/04/2011 17/04/2012	"Energoteh"  Sumystandart metrology
12b	Pressure difference (summer boiler)	Pressure difference transmitter	Honeywell	STD-3000	09W33 C3180872001001	Continuous record period 15 min.	Will be installed at transition to summer boilers from winter boilers	0.0375 %	0-100 mbar	Initial calibration made using procedures of manufacturer. Further calibrations made using procedures of Sumystandart-metrology.  Calibration frequency – 1 year.	01/04/2011 certificate № 1021 11/04/2012 certificate № 669	Honeywell  Sumystandart-metrology

**MONITORING REPORT FORM**

ID	Data	Method	Manufacturer	Classification	Serial number	Frequency of Measurement	Installation	Uncertainty level of data	Range	Calibration procedure	Last calibration	Calibrator
12c	Pressure (summer boiler)	Pressure transmitter	Siemens	SITRANS P Serie Z 7MF1564	AZB/X1110844	Continuous record period 15 min.	Will be installed at transition to summer boilers from winter boilers	0.5%	0-1.6 bar abs	Initial calibration made using procedures of manufacturer. Further calibrations made using procedures of Sumystandart-metrology.  Calibration frequency – 1 year.	27/05/2011 certificate № 1203 11/04/2012 certificate № 664	SIEMENS  Sumystandart-metrology
12d	Temperature (summer boiler)	Resistance thermometer	JUMO	dTRANS TO1 Typ 90.2820/10	TN00515987 01266669010 08400007	Continuous record period 15 min.	Will be installed at transition to summer boilers from winter boilers	DIN EN 60751, Class B  0.3+0.005T	-40-120°C	Initial calibration made using procedures of manufacturer. Further calibrations made using procedures of Sumystandart-metrology.  Calibration frequency – 1 year.	27/05/2011 10/04/2012	JUMO  Sumystandart-metrology
13	Heat production summer boiler	Calculation	ECO-Alliance	none	none	Continuous record period 15 min.	05/06/2010		n.a.	calculation	n.a.	n.a.
13a	Hot water flow (summer boiler)	Standard orifice	PRPE "Energoteh"	Annular chamber standard orifice DIN 19205	none	Continuous record period 15 min.	17/06/2010	none	12.13...65 m3/h	Initial calibration made using procedures of manufacturer. Further calibrations made using procedures of Sumystandart-metrology.  Calibration frequency – 1 year.	01/04/2011 17/04/2012	"Energoteh"  Sumystandart metrology

**MONITORING REPORT FORM**

<b>ID</b>	<b>Data</b>	<b>Method</b>	<b>Manufacturer</b>	<b>Classification</b>	<b>Serial number</b>	<b>Frequency of Measurement</b>	<b>Installation</b>	<b>Uncertainty level of data</b>	<b>Range</b>	<b>Calibration procedure</b>	<b>Last calibration</b>	<b>Calibrator</b>
13b	Pressure difference (summer boiler)	Pressure difference transmitter	Honeywell	STD-3000	09W12 C3149127001001	Continuous record period 15 min.	Will be installed at transition to summer boilers from VAH	0.0375 %	0-100 mbar	Initial calibration made using procedures of manufacturer.  Further calibrations made using procedures of Sumystandart-metrology.  Calibration frequency – 1 year.	09/12/2011 certificate № 2353	Honeywell  Sumystandart-metrology
13c	Pressure (summer boiler)	Pressure transmitter	Siemens	SITRANS P Serie Z 7MF1564	AZB/A2199936	Continuous record period 15 min.	05/06/2010	0.25%	0-10 bar abs	Initial calibration made using procedures of manufacturer. Further calibrations made using procedures of Sumystandart-metrology.  Calibration frequency – 1 year.	27/05/2011 certificate № 1204 11/04/2012 certificate № 666	SIEMENS  Sumystandart-metrology
13d	Temperature (summer boiler)	Resistance thermometer	AOZT «TERA»	TSP U 1-3 PT-100	09442	Continuous record period 15 min.	05/06/2010	0.5%	-50-250°C	Initial calibration made using procedures of manufacturer. Further calibrations made using procedures of Sumystandart-metrology.  Calibration frequency – 1 year.	27/05/2011  10/04/2012 passport to Resistance thermometer № 09442	AOZT «TERA»  Sumystandart-metrology

## MONITORING REPORT FORM

ID	Data	Method	Manufacturer	Classification	Serial number	Frequency of Measurement	Installation	Uncertainty level of data	Range	Calibration procedure	Last calibration	Calibrator
13e	Temperature on an input (summer boiler)	Resistance thermometer	AOZT «TERA»	TSP U 1-3 PT-100	09443	Continuous record period 15 min.	05/06/2010	0.5%	-50-250°C	Initial calibration made using procedures of manufacturer. Further calibrations made using procedures of Sumystandart-metrology.  Calibration frequency – 1 year.	27/05/2011  10/04/2012 passport to Resistance thermometer № 09443	AOZT «TERA»  Sumystandart-metrology

\*) The calibration has been provided in Germany according to the German Calibration Act. The calibration is manifested by a test badge (Eichmarke) fixed to the unit and valid for 8 years. As during this monitoring period the flare was re-installed (different but similar to previous), accordingly the used meters and their serial numbers were changed (items 7a-7e). For some meters the calibration was made not exactly on date as per calibration frequency mentioned in the table because of delays in the work of calibration organization.

**B.1.3. Involvement of Third Parties:**

- Sumystandartmetrology and Donetskstandartmetrology has calibrated several units
- Remen has been involved for the service of the measurement and control equipment of the boilers and VAH
- The lab analysis for the determination of the NMHC concentration has been done by MAKNI
- Eco-Alliance supported the coal mine with the collecting of the monitoring data, electronically collected data have been provided to BV
- Carbon-TF B.V. has supervised the data for plausibility and completeness.

**B.2. Data collection (accumulated data for the whole monitoring period):**

**B.2.1. List of fixed default values:**

Table - 6 List of ex-ante fixed values

ID number	Data variable	Source of data	Data unit	Comment
P8, B49 CEF <sub>ELEC,PJ</sub>	Carbon emission factor of CONS <sub>ELEC,PJ</sub>	National Environmental Investment Agency of Ukraine, NEIA	tCO <sub>2eq</sub> /MWh	Official Ukrainian data have been published on 12/05/2011 at the NEIA website. According to the information given in the PDD this data is taken into account. Set to: 1.063 t CO <sub>2</sub> / MWh (2011 and 2012) Value for thermal power plants which are connected to the Ukrainian Power grid. [NEIA]
P13 Eff <sub>FL</sub>	Flare combustion efficiency	monitored data, revised monitoring plan	t CH <sub>4</sub>	Set to: 99.5 % for: T <sub>Flame</sub> > 850°C [PDD, ACM0008/IPCC] 90% for: 500°C < T <sub>Flame</sub> < 850°C [AM_Tool_07] 0% for: T <sub>Flame</sub> < 500°C [AM_Tool_07]
P16 Eff <sub>ELEC</sub>	Efficiency of methane destruction / oxidation in power plant	ACM0008 / IPCC	%	set at 99.5% (IPCC)
P19 Eff <sub>HEAT</sub>	Efficiency of methane destruction / oxidation in heat plant	ACM0008 / IPCC	%	set at 99.5% (IPCC)
P23, B19 CEF <sub>CH4</sub>	Carbon emission factor for combusted methane	ACM0008 / IPCC	t CO <sub>2eq</sub> /t CH <sub>4</sub>	set at 2.75 t CO <sub>2eq</sub> /t CH <sub>4</sub>

**MONITORING REPORT FORM**

P28, B18 GWP <sub>CH4</sub>	Global warming potential of methane	ACM0008 / IPCC	t CO <sub>2</sub> eq/t CH <sub>4</sub>	set at 21
B55 EF <sub>HEAT</sub>	CO <sub>2</sub> emission factor of fuel used for captive power or heat	State Environmental Investment Agency of Ukraine	tCO <sub>2</sub> /MWh	set to 0.3415 tCO <sub>2</sub> /MWh Using the value for "Other Bituminous Coal" of 25.87 t C/TJ, [NEIA-2]
B57 Eff <sub>COAL</sub>	Energy efficiency of previously coal fired heat plant	Boiler pass	%	90.0 % upgraded winter boiler (measured value) 89.0 % summer boilers
Eff <sub>VAH</sub>	Efficiency of the heat generation by ventilation air heater	VAH Technical report	%	Set to 97.25 % [Technical Report]
Eff <sub>EPG</sub>	Efficiency of the power generation by emergency power generator	PDD	%	Set to 36% [PDD]
HV <sub>CH4</sub>	Heating value of methane	DIN EN ISO 6976	kWh/m <sup>3</sup> MWh/t	set to 9.965 kWh/m <sup>3</sup> equal to 13.899 MWh/t

**B.2.2. List of variables:**

*Table - 7 List of variables*

ID number	Data variable	Source of data	Data unit	Comment
P1 PE	Project emissions	monitored data	tCO <sub>2</sub> eq	calculated using formula (1) from the revised Monitoring Plan
P2 PE <sub>ME</sub>	Project emissions from energy use to capture and use methane	monitored data	tCO <sub>2</sub> eq	calculated using formula (2) from the revised Monitoring Plan
P3 PE <sub>MD</sub>	Project emissions from methane destroyed	monitored data	tCO <sub>2</sub> eq	calculated using formula (3) from the revised Monitoring Plan
P4 PE <sub>UM</sub>	Project emissions from uncombusted methane	monitored data	tCO <sub>2</sub> eq	calculated using formula (9) from the revised Monitoring Plan
P5 CONS <sub>ELEC,PJ</sub>	Additional electricity consumption by project	monitored data	MWh	calculated using formula (31) from the revised Monitoring Plan
P11 MD <sub>FL</sub>	Methane destroyed by flaring	monitored data	t CH <sub>4</sub>	calculated using formula (5) from the revised Monitoring Plan
P12 MM <sub>FL</sub>	Methane sent to flare	flow meter	t CH <sub>4</sub>	measured
PE <sub>Flare</sub>	Project emissions from flaring	monitored data	t CO <sub>2</sub> eq	calculated using formula (9a) from the revised Monitoring Plan
T <sub>Flame</sub>	Flame temperature of the flare	thermo couple	°C	measured

**MONITORING REPORT FORM**

P14 MD <sub>ELEC</sub>	Methane destroyed by power generation	monitored data	t CH <sub>4</sub>	calculated using formula (6) from the revised Monitoring Plan
P15 MM <sub>ELEC</sub>	Methane sent to power plant	flow meter	t CH <sub>4</sub>	calculated using formula (6a) from the revised Monitoring Plan
MM <sub>CHP</sub>	Methane sent to cogeneration unit	flow meter	t CH <sub>4</sub>	measured
MM <sub>EPG</sub>	Methane sent to emergency power generator	flow meter	t CH <sub>4</sub>	measured
Eff <sub>CHP</sub>	efficiency of power generation in the cogeneration unit	monitored data	%	calculated using formula (30) from the revised Monitoring Plan
P17 MD <sub>HEAT</sub>	Methane destroyed by heat generation	monitored data	t CH <sub>4</sub>	calculated using formula (7) from the revised Monitoring Plan
P18 MM <sub>HEAT</sub>	Methane sent to heat generation	monitored data	t CH <sub>4</sub>	calculated using formula (7a) from the revised Monitoring Plan
MM <sub>WBoil</sub>	Methane sent to winter boilers	flow meter	t CH <sub>4</sub>	measured
MM <sub>WBoil</sub>	Methane sent to summer boilers	flow meter	t CH <sub>4</sub>	measured
MM <sub>VAH</sub>	Methane sent to ventilation air heater	flow meter	t CH <sub>4</sub>	measured
P24 CEF <sub>NMHC</sub>	Carbon emission factor for combusted non methane hydrocarbons (various)	lab analysis	t CO <sub>2</sub> /t <sub>NMHC</sub>	Calculated if applicable
P25 PC <sub>CH4</sub>	Concentration of methane in extracted gas	IR measurement	%	measured
P26 PC <sub>NMHC</sub>	NMHC concentration in coal mine gas	lab analysis	%	Used to check if more than 1% of emissions and to calculate r
P27 r	Relative proportion of NMHC compared to methane	lab analysis	%	Calculated using formula (4) if applicable, based on the lab analysis.
B1 BE	Baseline emissions	monitored data	t CO <sub>2eq</sub>	calculated using formula (10) from the revised Monitoring Plan
B3 BE <sub>MR</sub>	Baseline emissions from release of methane into the atmosphere that is avoided by the project activity	monitored data	t CO <sub>2eq</sub>	calculated using formula (14) from the revised Monitoring Plan
B4 BE <sub>Use</sub>	Baseline emissions from the production of power, heat or supply to gas grid replaced by the project activity	monitored data	t CO <sub>2eq</sub>	calculated using formula (24) from the revised Monitoring Plan
B14 CMM <sub>PJ</sub>	CMM captured in the project activity	monitored data	t CH <sub>4</sub>	calculated using formula (14a) from the revised Monitoring Plan



## MONITORING REPORT FORM

B46 GEN	electricity generation by project	monitored data	MWh	calculated using formula (27) from the revised Monitoring Plan
GEN <sub>CHP</sub>	Electricity generated by the cogeneration unit	power meter	MWh	measured
GEN <sub>EPG</sub>	Electricity generated by the emergency power generator	monitored data	MWh	calculated using formula (28) from the revised Monitoring Plan
B47 HEAT	Heat generation by project	monitored data	MWh	calculated using formula (25) from the revised Monitoring Plan
HEAT <sub>WBoil</sub>	Heat generation by winter boilers	heat meter	MWh	measured
HEAT <sub>SBoil</sub>	Heat generation by summer boilers	heat meter	MWh	measured
HEAT <sub>VAH</sub>	Heat generation by Ventilation Air Heater	monitored data	MWh	calculated using formula (26) from the revised Monitoring Plan

### B.2.3. Data concerning GHG emissions by sources of the project activity

Table - 8 GHG emissions by sources of the project activity

ID number	Data variable	Source of data	Data unit	Comment
P12 MM <sub>FL</sub>	Methane sent to flare	flow meter	t CH <sub>4</sub>	measured
P15 MM <sub>ELEC</sub>	Methane sent to power plant	monitored data	t CH <sub>4</sub>	calculated using formula (6a) from the revised Monitoring Plan
P18 MM <sub>HEAT</sub>	Methane sent to heat generation	monitored data	t CH <sub>4</sub>	calculated using formula (7a) from the revised Monitoring Plan
P25 PC <sub>CH4</sub>	Concentration of methane in extracted gas	IR measurement	%	measured
P26 PC <sub>NMHC</sub>	NMHC concentration in coal mine gas	lab analysis	%	Used to check if more than 1% of emissions and to calculate r.

### B.2.4. Data concerning GHG emissions by sources of the baseline

Table - 9 GHG emissions by sources of the baseline

ID number	Data variable	Source of data	Data unit	Comment
B14 CMM <sub>PJ</sub>	CMM captured in the project activity	monitored data	t CH <sub>4</sub>	calculated using formula (14a) from the revised Monitoring Plan
B47 HEAT	Heat generation by project	monitored data	MWh	calculated using formula (25) from the revised Monitoring Plan

## MONITORING REPORT FORM

B46 GEN	electricity generation by project	monitored data	MWh	calculated using formula (27) from the revised Monitoring Plan
------------	--------------------------------------	-------------------	-----	--

### B.2.5. Data concerning leakage

Not applicable.

### B.2.6. Data concerning environmental impacts

“COLLIERY GROUP “DONBAS” is the owner of two coal mines, coal mine Shcheglovskaya-Glubokaya and Coal Mine Nr 22 Kommunaraskaya. “COLLIERY GROUP “DONBAS” started works on reducing greenhouse gas emissions already in 2006. As first pilot CMM utilisation two previously coal fired boilers at the coal mine Shcheglovskaya-Glubokaya have been upgraded with CMM burning systems. This early action has been verified as Greening AAU’s. In the second phase further CMM utilisation units followed and a second JI project at Coal Mine Nr 22 Kommunaraskaya was initiated. At the time nearly all of the CMM from the suction system of both coal mines is utilised and no longer blown into atmosphere.

### B.3. Data processing and archiving (incl. software used):

Two different but similar systems are used for electronically data collection.

Data from the boilers and the VAH are collected, processed and stored using a Siemens SIMATIC PLC S7 system and Siemens WINCC programming software. All data is stored in the internal memory about 2 GB. One time per hour the data are sent via GPS to an Internet-based Server data base. Eco-Alliance ensures regular back up’s and archiving. The data can be read any time from the internet data base by authorised personnel. The utilised methane amount is automatically calculated and stored in the PLC. As all input data are stored, the automatically calculation can be checked in retrospect any time.

Data from the flare and the cogeneration unit are collected, processed and stored using a Siemens SIMATIC PLC S7 system and Siemens WINCC programming software. All data is stored in the internal memory about 2 GB. The data are read daily by Kuhse GmbH via GPS and stored in the Kuhse database in Germany. The data can be viewed any time using special access software provided by Kuhse. Kuhse ensures regular back ups and archiving. The data are regularly reviewed by Carbon-TF and Eco-Alliance. Carbon-TF provides regularly storing and archiving of the data as well as regularly transfer to Excel sheets for analysis, evaluation and reporting procedures.

The data can be read any time from the Kuhse data base by authorised personnel. The utilised methane amount is automatically calculated and stored in the PLC. As all input data are stored, the automatically calculation can be checked in retrospect any time.

For plausibility checks and potential data back up, data recorded by coal mine personnel in hand written journals can be taken. The journals are stored by the coal mine.

### B.4. Special event log:

The flare has been re-installed in September 2011.

From 01/09/2011 to 19/09/2011 and from 28/09/2011 to 18/10/2011 the CHP unit was not working due to malfunctioning parts which have been replaced.

## **SECTION C. Quality assurance and quality control measures**

### **C.1. Documented procedures and management plan:**

#### **C.1.1. Roles and responsibilities:**

The general project management is implemented by the Chief Engineer of the "COLLIERY GROUP "DONBAS", the Holding Company of the Shcheglovskaya-Glubokaya Coal Mine, through supervision and coordination of activities of his subordinates, such as deputy director on surface degasification, heat technician, and heads of safety engineering departments.

Daily a group of mechanics and electricians who are responsible for the measures and maintenance of all technological equipment and measuring instruments are present on-site. There are two shifts, 12 h each. For every shift there is one person on-duty responsible for the proper operation and keeping of the journals.

Overview calculations about the methane amount utilised are made on a monthly and yearly basis and notified in the journal. The monitoring system is supervised by the administration of the coal mine under the existing control and reporting system. The general supervision of the new electronically monitoring system is executed by Eco-Alliance, who is consultant for the coal mine

#### **C.1.2. Trainings:**

The employees responsible for the monitoring control have been trained on-the-job during the installation of the system.

The responsible personnel of Eco-Alliance has been trained on the handling with CMM-utilisation units and the applied monitoring systems, during an eight week long practical course in Germany in the autumn of 2005 and a two-week practical course in August/September 2008. In these courses which has been carried out by A-TEC Anlagentechnik GmbH, a Joint-Venture participant of Eco-Alliance, also the basic principles of emissions trading and the background of the monitoring has been explained. A-TEC Anlagentechnik GmbH is already running several CMM utilisation plants and monitoring systems in Germany.

These trained personnel is the basis of a team of engineers, which established a specialised service team in the Ukraine and instructed further operating and monitoring personnel, as well for this project.

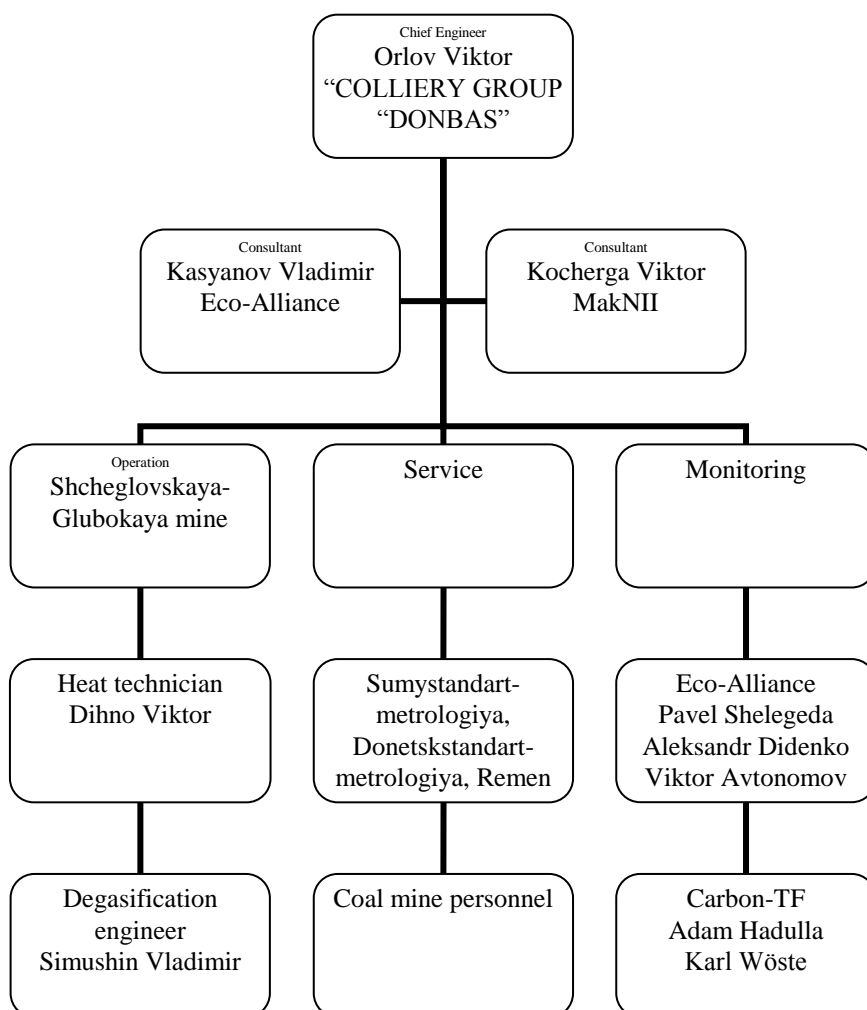


Figure 1 – Organigram

**C.2. Involvement of Third Parties:**

- MakNII Institute, the “State Makeyevka Institute for Research and Education for Safe Work in the Coal Mining Industry”, a subsidiary of the “Ukrainian Ministry for Fuel and Energy”, has been involved for the lab analysis (NMHC) of the CMM.
- Remen has been involved for the service of the measurement and control equipment of the boilers and VAH.
- Sumystandardmetrology and Donetskstandartmetrology have been involved for the regular calibrations of the monitoring devices

**C.3. Internal audits and control measures:**

Methane concentration and CMM flow data of the flares are compared with the indication of the meters from the vacuum pump station for plausibility. The coal mine personnel have been instructed by Eco-Alliance.

**QM procedure:**

- Electronic data are stored at Eco-Alliance and Carbon-TF.
- Back-ups are made regularly by staff of Eco-Alliance and Carbon-TF.
- Monitoring engineer from Eco-Alliance checks the data from web-site every day and makes internal weekly reports.
- Monitoring engineer from Eco Alliance prepares monthly reports which are checked by Carbon-TF B.V.
- Carbon-TF prepares the monitoring report, which is checked by Eco-Alliance and the coal mine.
- Additionally data are recorded manually in journals by the coal mine personnel.
- The journals are checked daily by the chief heat technician and cross-checked monthly by monitoring engineer from Eco Alliance.
- The paper data are stored at the coal mine.
- Every 2 weeks a monitoring engineer from Eco-Alliance makes audits and remarks this in the operation journal.
- Eco-Alliance makes service audits every month.

**C.4. Troubleshooting procedures:**

The general troubleshooting procedures for the boilers and the VAH are available at the coal mine. The coal mine personnel are instructed to follow the procedures.

In case of disturbance the gas supply to the boiler is shut down by a quick acting valve and the CMM supplied by the degasification system of the coal mine is blown to the atmosphere. The flare and the cogeneration unit are also automatically shut down in case of faults.

**SECTION D. Calculation of GHG emission reductions**

**D.1. Table providing the formulas used:**

*Table - 10 Formulae used taken from the revised Monitoring Plan*

ID number	Data variable	Nr.	Formula
P1 PE	Project emissions	(1)	$PE = PE_{ME} + PE_{MD} + PE_{UM}$
P2 PE <sub>ME</sub>	Project emissions from energy use to capture and use methane	(2)	$PE_{ME} = CONS_{ELEC,PJ} \times CEF_{ELEC,PJ}$
P3 PE <sub>MD</sub>	Project emissions from methane destroyed	(3)	$PE_{MD} = (MD_{FL} + MD_{ELEC} + MD_{HEAT}) \times (CEF_{CH4} + r \times CEF_{NMHC})$
P4 PE <sub>UM</sub>	Project emissions from uncombusted methane	(9)	$PE_{UM} = GWP_{CH4} \times [MM_{ELEC} \times (1 - Eff_{ELEC}) + MM_{HEAT} \times (1 - Eff_{HEAT})] + PE_{Flare}$
P5 CONS <sub>ELEC,PJ</sub>	Additional electricity consumption by project	(31)	$CONS_{ELEC} = GEN_{CHP} * 0.035$
PE <sub>Flare</sub>	Project emissions from flaring	(9a)	$PE_{Flare} = (MM_{Fl} - MD_{Fl}) \times GWP_{CH4}$
P11 MD <sub>FL</sub>	Methane destroyed by flaring	(5)	$MD_{FL} = \sum_{i=1}^n MM_{FL,i} \times \eta_{flare,i}$
P14 MD <sub>ELEC</sub>	Methane destroyed by power generation	(6)	$MD_{ELEC} = MM_{ELEC} \times Eff_{ELEC}$
P15 MM <sub>ELEC</sub>	Methane sent to power generation	(6a)	$MM_{ELEC} = MM_{CHP} + MM_{EPG}$
P17 MD <sub>HEAT</sub>	Methane destroyed by heat generation	(7)	$MD_{HEAT} = MM_{HEAT} \times Eff_{HEAT}$
P18 MM <sub>HEAT</sub>	Methane sent to heat generation	(7a)	$MM_{HEAT} = MM_{WBOIL} + MM_{SBOIL} + MM_{VAH}$
P27 r	Relative proportion of NMHC compared to methane	(4)	$r = PC_{NMHC} / PC_{CH4}$
B1 BE	Baseline emissions	(10)	$BE = BE_{MR} + BE_{Use}$
B3 BE <sub>MR</sub>	Baseline emissions from release of methane into the atmosphere that is avoided by the project activity	(14)	$BE_{MR} = CMM_{PJ} \times GWP_{CH4}$
B4 BE <sub>Use</sub>	Baseline emissions from the production of power, heat or supply to gas grid replaced by the project activity	(24)	$BE_{Use} = GEN \times EF_{ELEC} + (HEAT / Eff_{COAL}) \times EF_{HEAT}$
B14 CMM <sub>PJ</sub>	CMM captured in the project activity	(14a)	$CMM_{PJ} = MM_{FL} + MM_{ELEC} + MM_{HEAT}$

**MONITORING REPORT FORM**

B46 GEN	Electricity generation by project	(27)	$GEN = GEN_{CHP} + GEN_{EPG}$
GEN <sub>EPG</sub>	Electricity generation by emergency power generator	(28)	$GEN_{EPG} = MM_{EPG} \times Eff_{ELEC} \times Eff_{EPG} \times HV_{CH_4}$
B47 HEAT	Heat generation by project	(25)	$HEAT = HEAT_{WBoil} + HEAT_{SBoil} + HEAT_{VAH}$
HEAT <sub>VAH</sub>	Heat generation by VAH	(26)	$HEAT_{VAH} = MM_{VAH} \times Eff_{HEAT} \times Eff_{VAH} \times HV_{CH_4}$
ER	Emission reductions	(18)	$ER = BE - PE$
MM <sub>CHP</sub>	Methane sent to cogeneration unit	(29)	$MM_{CHP} = \frac{GEN_{CHP}}{Eff_{ELEC} \times HV_{CH_4}}$
Eff <sub>CHP</sub>	efficiency of power generation in cogeneration unit	(30)	$Eff_{CHP} = \frac{GEN_{CHP}}{MM_{CHP} \times HV_{CH_4}}$

**D.2. Description and consideration of measurement uncertainties and error propagation:**

Some minor errors which have been identified in hand written operation journals have been corrected. Mistakes were made during the writing the data from the monitor into journals. During checking the data, the monitoring engineer has made adjustments to the time of measurement, namely: record the exact time (hours and minutes).

**D.3. GHG emission reductions (referring to B.2. of this document):**

**D.3.1. Comparison:**

Period	Prospected emission reductions, PDD [t CO <sub>2eq</sub> ]		Monitored emission reductions [t CO <sub>2eq</sub> ]	
	Full year	Proportionally for the monitoring period	in tonnes and percentage of prospected emissions	
16/03/2011-31/12/2011	172,555 (2011)	136,606	63,821	46.7%
01/01/2012-30/04/2012	172,419 (2012)	57,473	65,945	115 %
<b>Total 2011-2012</b>		<b>194,079</b>	<b>129,766</b>	<b>66.9%</b>

The monitored values are lower in tote than the prospected values, because of the lower gas amount produced by the coal mine. See A.3. for justification.

**D.3.2 Monitored project emissions**

<b>Monitored project emissions [t CO<sub>2eq</sub> / a]</b>			
period	16/03/2011- 31/12/2011	01/01/2012- 30/04/2012	<b>Total 2011-2012</b>
methane destruction			
flaring	1,160	2,172	3,332
heat generation	4,841	6,199	11,040
power generation	2,880	1,212	4,092
additional power consumption			
power generation	169	69	238
<b>Total</b>	<b>9,050</b>	<b>9,652</b>	<b>18,702</b>

**D.3.3 Monitored baseline emissions**

<b>Monitored baseline emissions [t CO<sub>2eq</sub> / a]</b>			
period	16/03/2011- 31/12/2011	01/01/2012- 30/04/2012	<b>Total 2011-2012</b>
release of methane that is avoided by the project			
flaring	7,916	15,768	23,684
heat generation	35,777	45,815	81,592
power generation	21,289	8,958	30,247
production of heat that is displaced by the project	3,054	3,084	6,138
production of power that is displaced by the project	4,835	1,971	6,806
<b>Total</b>	<b>72,871</b>	<b>75,596</b>	<b>148,467</b>



**D.3.4**Table E-6 – Project emissions and emission reductions during the 3<sup>rd</sup> verification period

period	Monitored project emissions (tonnes of CO2 equivalent)	Monitored leakage (tonnes of CO2 equivalent)	Monitored baseline emissions (tonnes of CO2 equivalent)	Monitored emissions reductions (tonnes of CO2 equivalent)
16/03/2011-31/12/2011	9,050	-	72,871	63,821
01/01/2012-30/04/2012	9,652	-	75,596	65,944
Total (tonnes of CO2 equivalent)	18,702	-	148,467	<b>129,765</b>

**The total GHG emission reduction for the monitoring period 16/03/2011-30/04/2012 is 129 765 t CO2eq.**

This monitoring report has been prepared by Eco-Alliance  
Responsible person: Avtonomov Viktor

Kyiv, 20/07/2012

**Annex 1****REFERENCES**

- [PDD], Project Design Document; Version 07, dated 2009-08-06
- [IPCC], Revised 1996 IPCC Guidelines for National Greenhouse Gas Inventories, Reference Manual (Volume 3), Chapter Energy, 1.4.1 Unoxidized Carbon, Page 1.32, 1996, <http://www.ipcc-nggip.iges.or.jp/public/gl/invs6a.htm>
- [IPCC-2], IPCC - Terms of Reference, Chapter1, Introduction, Source of Categories, Table 1.2
- [ACM0008], Approved consolidated baseline methodology ACM0008 – Consolidated baseline methodology for coal bed methane and coal mine methane capture and use for power (electrical or motive) and heat and/or destruction by flaring, version 03, EB28 <http://cdm.unfccc.int/methodologies/PAMethodologies/approved.html>
- [AM\_Tool\_07], Methodological “Tool to determine project emissions from flaring gases containing methane”, EB 28, Meeting report, Annex 13
- [NEIA] Baseline carbon emission factor for electric power approved in Ukraine: <http://www.neia.gov.ua/nature/doccatalog/document?id=127498>
- [NEIA-2] Baseline carbon emission factor for other bituminous coal approved in Ukraine: 25.87 t C/TJ (National Inventory Report of Anthropogenic Emissions from Sources and Absorption by Absorbers of Greenhouse Gases in Ukraine for 1990-2009, Table P4.7)
- Final Determination Report for the project: JI0077 CMM utilisation on the coal mine Shcheglovskaya-Glubokaya of the State Holding Joint-Stock Company „GOAO Shakhtoupravlenye Donbass“ Report No: 2008-1321 Rev 02, by DNV Det Norske Veritas, dated 2009-08-07
- The project is approved as JI-project since 08/12/2009 ([http://ji.unfccc.int/JI\\_Projects/DeterAndVerif/Verification/FinDet.html](http://ji.unfccc.int/JI_Projects/DeterAndVerif/Verification/FinDet.html))  
Registration numbers UA2000015, JI0077
- Letter of Approval, Nr. 3872/11/10-08, issued on 2008-03-26 by the Ukraine (host party)
- Letter of Approval, Nr. 2008JI04, issued on 2008-04-22 by the Kingdom of the Netherlands (investor party)
- Determination and verification manual (version 01), undated <http://ji.unfccc.int/Ref/Guida/index.html>
- further supporting evidence documents provided by the coal mine

Annex 2

Technical drawing

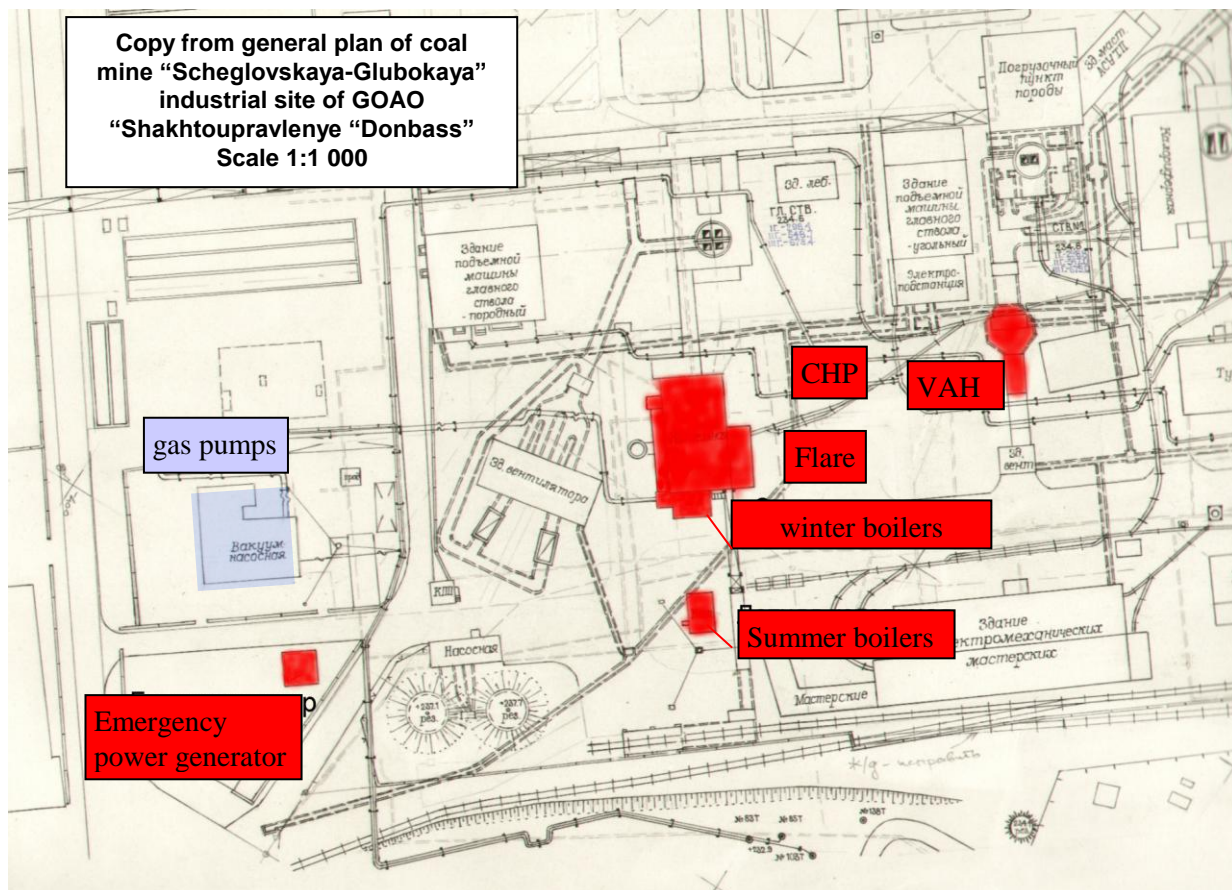


Figure-2 Installation scheme – Coal Mine Shcheglovskaya-Glubokaya

**Annex 3**

**Energy and material flowchart including metering positions**

The electronically data storage system is fully in operation. Manual records (journals) are still used by the coal mine and can be taken for backup.

The heat produced by the VAH and the power produced by the emergency power generator are not recorded with meters but calculated using the utilised methane amount.

Two additional CH4 meters are installed in the central suction system. The measurements results are recorded in hand written journals and can be taken as plausibility measurement.

The general installation scheme is given in Figure-3. The ID's given in Figure-3 are corresponding to the ID's in Table-5.

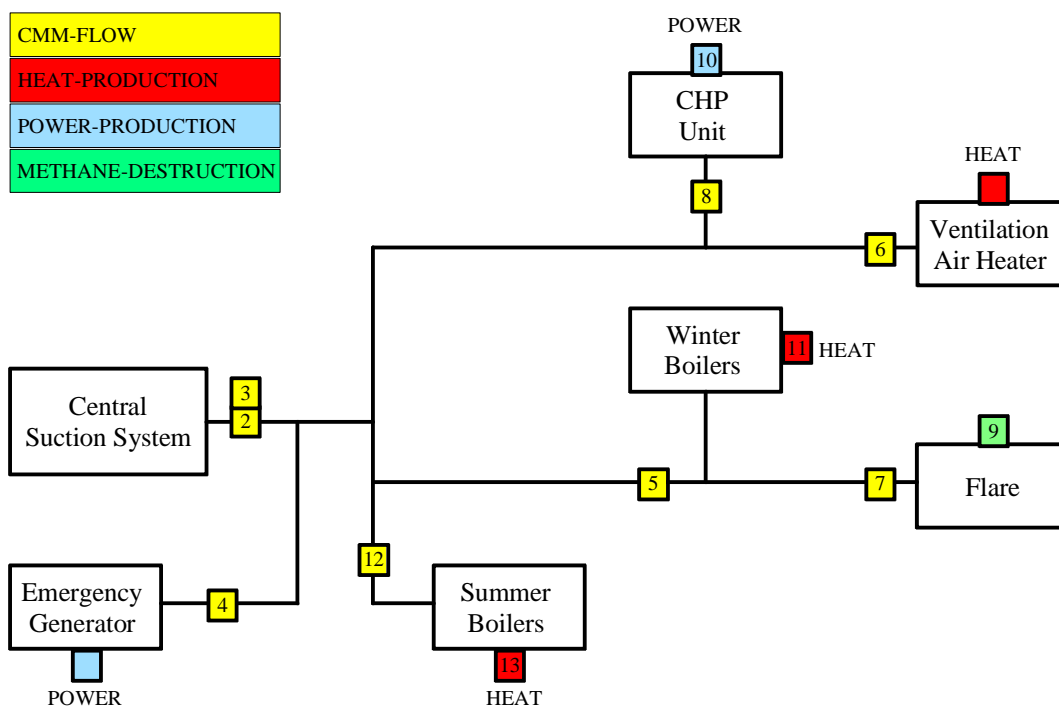


Figure-3 Installation scheme and positioning of the meters

The flare and the cogeneration unit have been equipped with an similar electronically monitoring system. The monitoring plan applied during the monitoring period is according to the PDD. See Figure-4

CMM from central suction system

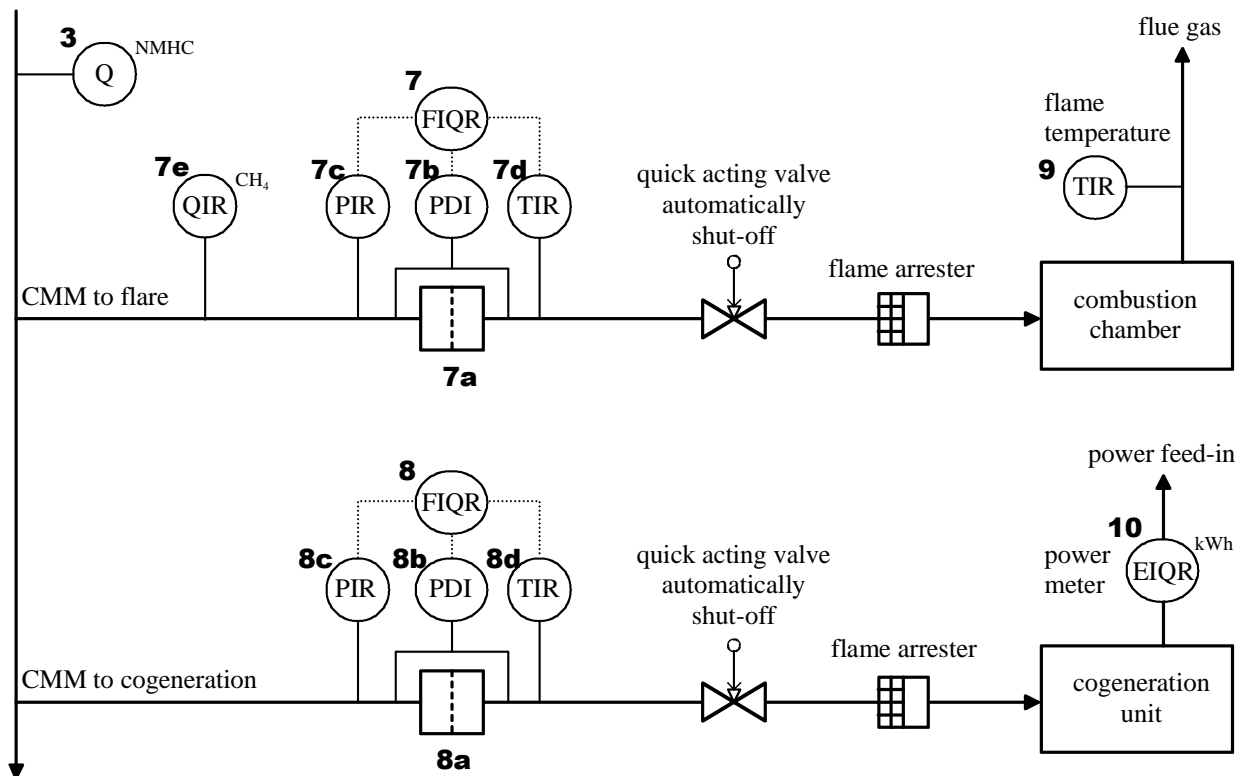


Figure -4 Installation scheme and positioning of the meters, flare and CHP

CMM from central suction system

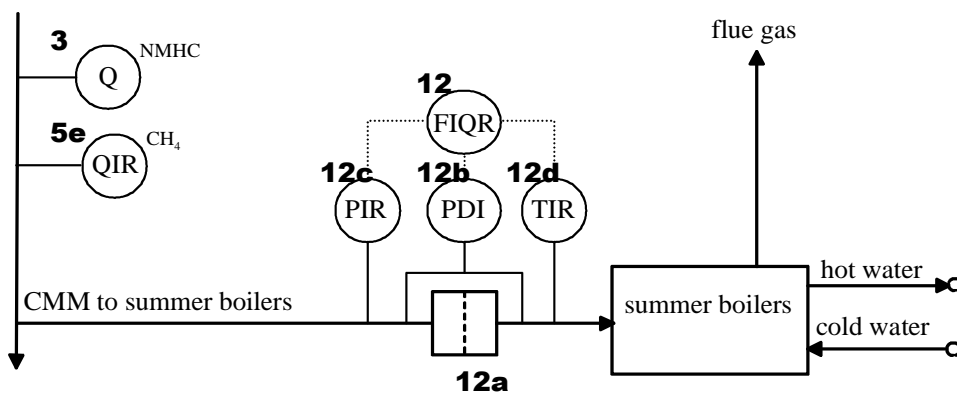


Figure -5 Installation scheme and positioning of the meters, summer boilers

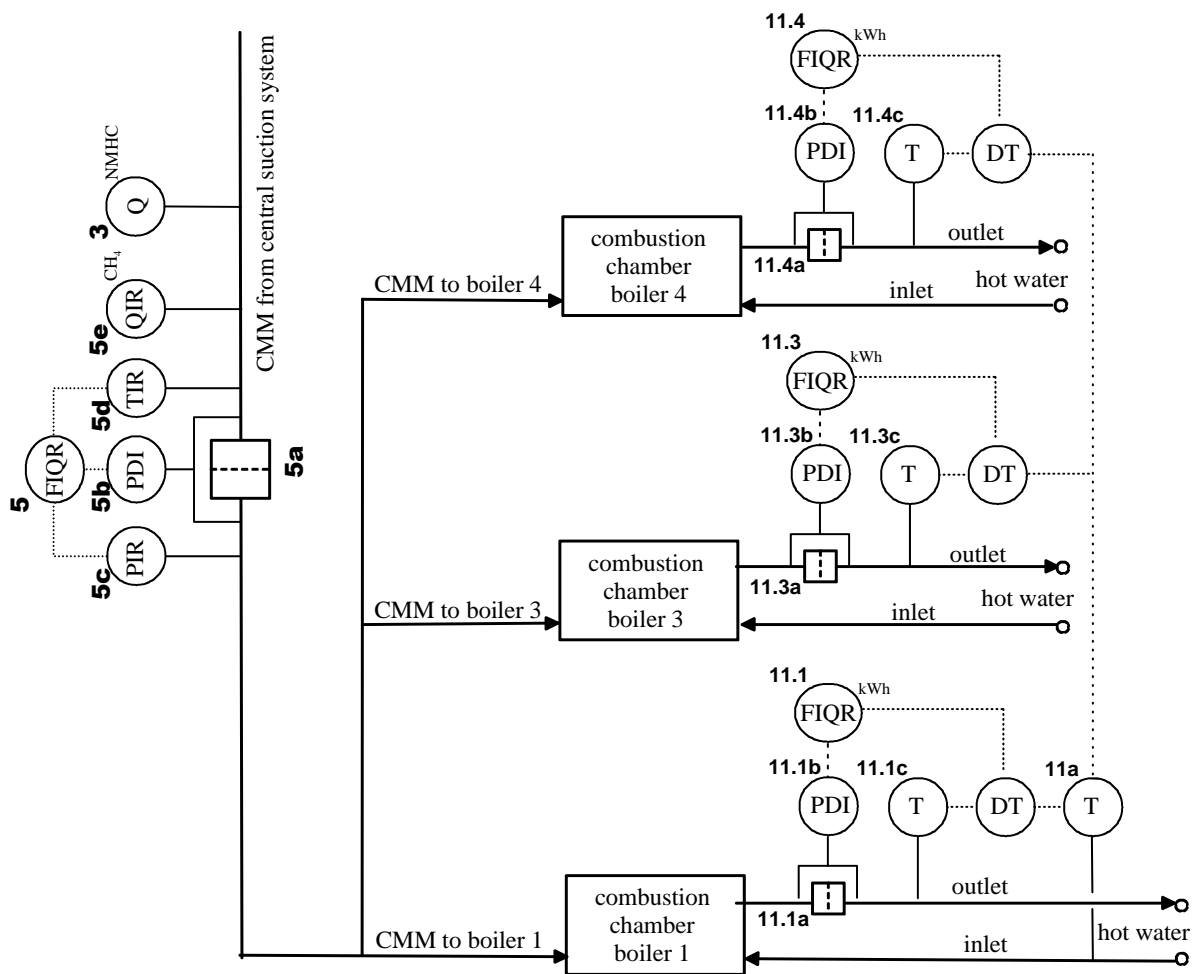


Figure -6 Installation scheme and positioning of the meters, winter boilers 1, 3 and 4

**Annex 4****Deviations from the monitoring plan as stated in the PDD<sup>2</sup>****A4.1 Deviations determined during first monitoring period****A4.1.1 Emergency Power Cogeneration unit**

The power amount of the emergency power generator has not been counted. The electricity production has been recalculated using the methane amount consumed by the unit and the power efficiency as given in the PDD.

$$GEN_{EPG} = MM_{EPG} \times Eff_{ELEC} \times Eff_{EPG} \times HV_{CH_4} \quad (28)$$

with

$GEN_{EPG}$	electricity produced by the project [MWh]
$MM_{EPG}$	methane amount sent to emergency power generation, measured with flow meter [t CH <sub>4</sub> ]
$Eff_{ELEC}$	efficiency of methane destruction/oxidisation in power plant, set to 99.5% (ACM0008/IPCC)
$Eff_{EPG}$	efficiency of emergency power generation; set to 36% as given in the PDD
$HV_{CH_4}$	heating value of methane [9.965 kWh/m <sup>3</sup> , equal to 13.899 MWh/t]

**A4.1.2 Heat generation by summer boilers and VAH**

The heat amount produced by the VAH has not been measured but calculated using the utilised CH<sub>4</sub> amount and the VAH efficiency.

$$HEAT_{VAH} = MM_{VAH} \times Eff_{HEAT} \times Eff_{VAH} \times HV_{CH_4} \quad (25)$$

with

$HEAT_{VAH}$	heat generated by the ventilation air heater [MWh]
$MM_{VAH}$	methane amount sent to ventilation air heater [t CH <sub>4</sub> ]
$Eff_{HEAT}$	Efficiency of methane destruction/oxidation in heat plant (take as 99.5% from ACM0008/IPCC)
$Eff_{VAH}$	efficiency of heat production in ventilation air heater; set to 97.25%
$HV_{CH_4}$	heating value of methane [9.965 kWh/m <sup>3</sup> , equal to 13.899 MWh/t]

**A4.2 Deviations determined during second monitoring period****A4.2.1 Project emissions from flaring**

The formula for the calculation of project emissions from uncombusted methane has been updated. The calculation of project emissions from uncombusted methane from flaring are now more accurate.

In the PDD the formula for project emissions from uncombusted methane is given as per:

<sup>2</sup> This Annex contains the information about all revisions to Monitoring Plan for all monitoring periods.

**MONITORING REPORT FORM**

$$PE_{UM} = GWP_{CH_4} \times [(MM_{FL} \times (1 - Eff_{FL}) + MM_{ELEC} \times (1 - Eff_{ELEC}) + MM_{HEAT} \times (1 - Eff_{HEAT})] \quad (9) \text{ old}$$

In the revised monitoring plan the formula (9) has been replaced by the following formula:

$$PE_{UM} = GWP_{CH_4} \times [MM_{ELEC} \times (1 - Eff_{ELEC}) + MM_{HEAT} \times (1 - Eff_{HEAT})] + PE_{flare} \quad (9) \text{ new}$$

$PE_{Flare}$  is calculated using adopted formulae from the «Methodological “Tool to determine project emissions from flaring gases containing methane”» [AM\_Tool\_07] and ACM0008 Version 5. The original formulae refers to a yearly basis. The formulae have been adapted in the revised monitoring plan to variable monitoring periods:

The original formulae are:

$$PE_{flare} = \sum_{i=1}^n TM_{RG,i} \times (1 - \eta_{flare,i}) \times \frac{GWP_{CH_4}}{1000} \quad (9a)$$

where:

- $PE_{flare}$  Project emissions from flaring in the regarded period (t CO<sub>2</sub>eq)
- $TM_{RG,i}$  Mass flow rate of methane in the regarded interval i (kg/interval)
- $\eta_{flare,i}$  flare efficiency in the interval i
- $GWP_{CH_4}$  Global warming potential of methane (21 tCO<sub>2</sub>eq/tCH<sub>4</sub>)
- n number of samples (intervals) in the regarded period

and

$$MD_{FL} = MM_{FL} - (PE_{flare}/GWP_{CH_4}) \quad (5)$$

where:

- $MD_{FL}$  Methane destroyed through flaring in the regarded period (t CH<sub>4</sub>)
- $MM_{FL}$  Methane sent to flaring in the regarded period (t CH<sub>4</sub>)
- $PE_{flare}$  Project emissions from flaring in the regarded period (t CO<sub>2</sub>eq)
- $GWP_{CH_4}$  Global warming potential of methane (21 tCO<sub>2</sub>eq/tCH<sub>4</sub>)

In the revised monitoring plan and this monitoring report, formulae 9a and 5, see above have been resolved to fit better to the monitored data.

The project emissions from flaring are calculated using the equation:

$$PE_{flare} = (MM_{FI} - MD_{FL}) \times GWP_{CH_4} \quad (9a)$$

where:

- $PE_{flare}$  Project emissions from flaring in the regarded period (t CO<sub>2</sub>eq)
- $MD_{ELEC}$  Methane destroyed through power generation (t CH<sub>4</sub>)
- $MM_{ELEC}$  Methane measured sent to power plant (t CH<sub>4</sub>)
- $GWP_{CH_4}$  Global warming potential of methane (21 tCO<sub>2</sub>eq/tCH<sub>4</sub>)

The formula for the methane destroyed through flaring is:

$$MD_{FL} = \sum_{i=1}^n MM_{FL,i} \times \eta_{flare,i} \quad (5)$$

where:



- MD<sub>FL</sub> Methane destroyed through flaring (t CH<sub>4</sub>)  
 MM<sub>FL,i</sub> Methane sent to flaring in the interval i (t CH<sub>4</sub>)  
 $\eta_{flare,i}$  Efficiency of methane destruction/oxidation in flare in the interval i, see below  
 n number of samples (intervals) in the regarded period

The interval is set to 15 min during the monitoring period, which is more accurate than the 1 h intervals from the «Methodological “Tool to determine project emissions from flaring gases containing methane”» [AM\_Tool\_07])

For  $\eta_{flare,i}$  three different values are taken, depending on the current combustion temperature T<sub>Flame,i</sub> of the flare in the interval i:

T <sub>Flame,i</sub>	$\eta_{flare,i}$	Source
> 850°C	99.5%	[PDD, revised monitoring plan Section D.1.1 and Annex 3]
500-850°C	90.0%	[AM_Tool_07-15]
< 500°C	0%	[AM_Tool_07-15]

Where:

- T<sub>Flame,i</sub> Flame temperature of the flare in the regarded interval i (°C)  
 $\eta_{flare,i}$  flare efficiency in the interval i

#### A.4.2.2 Cogeneration unit

The power amount of the cogeneration is counted a mechanical counter (NZR). Daily readings are recorded manually in a journal. There is also an electronically power rating meter (KMU) built-in in the cogeneration engine. For the determination of the power amount produced the electronically recorded values are taken (KMU). The difference between the both power meters is negligible.

During the first month of the second monitoring period (April 2010), the data acquisition system was disturbed, so that no reasonable electronically data for power production (KMU) and methane amount consumed by the unit are available. For this period manually recorded data from the NZR journal have been taken for the power production.

The methane amount utilised in April 2010 has been recalculated using the produced power amount (NZR) and the average power generation efficiency determined from the later steady operation period.

$$MM_{CHP} = \frac{GEN_{CHP}}{Eff_{ELEC} \times HV_{CH4}} \quad (29)$$

with

- MM<sub>CHP</sub> Methane amount utilised by the cogeneration unit in the specific period [t CH<sub>4</sub>]  
 GEN<sub>CHP</sub> Electricity produced by the project [MWh]  
 Eff<sub>CHP</sub> efficiency of power generation [%] recalculated from later steady operation period  
 HV<sub>CH4</sub> heating value of methane [9.965 kWh/m<sup>3</sup>, equal to 13.899 MWh/t]

The efficiency of power generation in the cogeneration unit is recalculated from later steady operation period:

$$Eff_{CHP} = \frac{GEN_{CHP}}{MM_{CHP} \times HV_{CH4}} \quad (30)$$

with

$Eff_{CHP}$	efficiency of power generation
$GEN_{CHP}$	Electricity produced by the project in the specific period [MWh]
$MM_{CHP}$	Methane amount utilised by the cogeneration unit in the specific period [t CH <sub>4</sub> ]
$HV_{CH4}$	heating value of methane [9.965 kWh/m <sup>3</sup> , equal to 13.899 MWh/t]

The cogeneration unit needs additional power especially for the cooling fans. The power amount consumed by the power generation units is taken into account as  $CONS_{ELEC,PJ}$ . The additional energy is not measured with power meters, but calculated using a fixed percentage of the produced power. The percentage has been fixed to 3.5% based on experience made with more than 120 cogeneration units in Germany.

$$CONS_{ELEC} = GEN_{CHP} * 0.035 \quad (31)$$

#### A4.3 Changes during current monitoring period

New source for CO<sub>2</sub> emission factor of fuel used for captive power or heat was taken. The factor is now calculated using the value for "Other Bituminous Coal" of 25.87 t C/TJ from "National Inventory Report of Anthropogenic Emissions from Sources and Absorption by Absorbers of Greenhouse Gases in Ukraine for 1990-2009" Baseline carbon emission factor for other bituminous coal approved in Ukraine.

**Annex 5****Differences between the determined PDD and implemented project<sup>3</sup>**

There are some differences between the determined PDD and implemented project. The conditions defined by paragraph 33 of the JI guidelines are still met for the project.

- The physical location of the project has not changed.
- The emission sources have not changed.
- The baseline scenario has not changed.
- The changes are consistent with the JI specific approach and/or the clean development mechanism (CDM) methodology upon which the determination was prepared for the project.

The differences of the project installation as described in the PDD and the implemented project are listed in the table below.

<b>unit</b>	<b>Difference</b>	<b>justification</b>
Winter boilers No: 1, 3 & 4	missing monitoring system	The installation of the monitoring system was delayed due to lacking funds and has been completed in February 2010.
Summer boilers No: 1 & 2	missing monitoring system	The installation of the monitoring system was delayed due to lacking funds and has been completed in June 2010.
flare No: 1	changed firing capacity 10 MW instead of 5 MW	In the PDD a flaring capacity of 5 MW was given. The installed flare has originally a capacity of up to 8.525 MW and has been slightly modified to reach an extended capacity of up to 10 MW. This allowed a higher utilisation of CH <sub>4</sub> in the beginning of the project while the installation of the other units was delayed. The flare has shut down production in October 2010 and has been moved to the JI-Project Coal Mine Nr.22 Kommunarskaya in November 2010 of the same project owner, due to lacking gas amount. A new flare with a capacity of 8 MW has been reinstalled in September 2011.
flare No: 2	delay / pending	The installation of the second was delayed due to lacking funds due to delayed project registration. The installation is now pending due to lacking gas amount.
ventilation air heater	missing monitoring system	The installation of the monitoring system was delayed due to lacking funds and has been completed in February 2010.

The name of the project owner has been changed. The old name State-run Coal Mine Association „GOAO Shakhtoupravlenye Donbass” is no longer valid, the new name is:

PUBLIC JOINT STOCK COMPANY “COLLIERY GROUP “DONBAS”

<sup>3</sup> This Annex contains the information about differences between the determined PDD and implemented project for all determined monitoring periods.

## MONITORING REPORT FORM

---

The identifying number and domicile of the legal entity as well as the place of registration remain unchanged.

The change of name has been reported to JISC. JISC has decided that the title of the project 0078 registered in the JI Information system cannot be changed and the title of the project will keep the old name of the company.

**Annex 6**

**History of the Document**

<b>Version</b>	<b>Date</b>	<b>Nature of Revision</b>
1	31 May 2012	Initial adoption
2	26 June 2012	Revised version
3	17 July 2012	Revised version
4	20 July 2012	Revised version