



JOINT IMPLEMENTATION PROJECT DESIGN DOCUMENT FORM
Version 01 - in effect as of: 15 June 2006

CONTENTS

- A. General description of the project
- B. Baseline
- C. Duration of the project / crediting period
- D. Monitoring plan
- E. Estimation of greenhouse gas emission reductions
- F. Environmental impacts
- G. Stakeholders' comments

Annexes

- Annex 1: Contact information on project participants
- Annex 2: Baseline information
- Annex 3: Monitoring plan

**SECTION A. General description of the project****A.1. Title of the project:**

“Rehabilitation of the District Heating Systems in Dnipropetrovsk Region”

PDD Version: 04, dated July 18, 2011

Sectoral scopes:

1. Energy industries (renewable - / non-renewable sources);
2. Energy distribution;
3. Energy demand.

A.2. Description of the project:

The project main goal is fuel consumption reduction, in particular reduction of natural gas consumption (which is imported to Ukraine) by means of rehabilitation of district heating systems in the Dnipropetrovsk region. Such fuel consumption reduction will result in decrease of greenhouse gas emissions (CO₂ mainly). The purpose of the project is sustainable development of the region through implementation of energy saving technologies.

Dnipropetrovsk region's district heating (DH) utility (system of heat supply enterprises) supplies and sells heat energy in forms of heat and hot water to local consumers, namely households, municipal consumers and state-owned organizations. It is a natural monopolist of heat production in the region. Heat supply market in the region is stable for years.

The project was initiated in 2002 to rehabilitate district heating systems in Dnipropetrovsk region, including boiler and distribution network equipment replacement and rehabilitation.

In 2011 the Municipal Enterprise “Teploenergo” of Dnipropetrovsk City Council, the City Municipal Enterprise “Dnipropetrovski miski teplovi merezhi” and Municipal Enterprise of Heat Supply Network “Kryvorizhteplomerzha” have joined the Project as partners.

The 570 boiler-houses with 1837 boilers (total maximal connected load 3640.58 Gcal/hour, baseline) and 1302.5 km of heat distributing networks, in Dnipropetrovsk city and Dnipropetrovsk Region, which belong to district heating enterprises in Dnipropetrovsk Region that empowered OJSC “Oblteplocomunenergo” to represent their interests in this project, are involved in the project.

a) Situation existing prior to the starting date of the project

The common practice for the district heating enterprises in Ukraine including district heating enterprises that implement this project is to fulfil annual minimal repairing of the DH system to keep it working. Particularly it covers repairing of networks and boilers parts which failure might cause accidents.

b) Baseline scenario:

For Baseline scenario the economically feasible and realistic scenario with very slow rehabilitation activities was chosen. Tariffs for heat do not include the resources for prospective rehabilitation of the district heating system, only the resources for probable necessary repairing after possible accidents. Minimal annual repairing doesn't lead to drooping of baseline emissions because of degradation of the whole system with efficiency drop at other objects, the overall actual emissions of Supplier would stay on the same level. This scenario is not environmentally favorable for the near future (including first commitment period 2008-2012), since GHGs emissions of Supplier will continue to be kept at the same level or even higher, but economically such scenario is attractive.



c) Project scenario

Project provides installation of 382 new highly efficient boilers, replacement of 333 boilers' burners, installation of 74 heat utilizers, rehabilitation of by 393 km of heat distributing networks and other fuel and energy saving measures.

After complete project implementation about 304 million Nm³ of natural gas, 708 t of coal and 12.5 GWh of electric power will be saved annually. Such reduction of energy sources consumption is based on increase of the boiler efficiencies and reduction of heat losses in networks. The following activities will ensure fuel saving:

- Replacement of out-of-date low efficient boilers by new high efficient boilers;
- Boiler equipment rehabilitation:
 - Replacement of burners;
 - Replacement of convection parts and screen tubes;
 - Renovation of boiler lining, brickwork and termoinsulation;
 - Chemical flushing and cleaning;
- Installation of water treatment systems;
- Installation of heat utilizers;
- Rehabilitation of heat network equipment, including decreasing of pipelines length and replacing of the 4-pipe lines by 2-pipe lines, with implementation of the new heat insulation and the pre-insulated pipes.
- Construction of quarter boiler-houses on the basis of existing central heat supply stations (CHSS);
- Technical re-equipment of central heat supply stations with heat exchangers;
- Replacement of pumps;
- Installation of frequency controllers at electric drives of smoke exhausters, etc.;
- Installation of automatic system for electricity counting control (ASECC);
- Installation of combined heat and power production equipment;
- Implementation of modern devices for heat accounting; of systems for heat networks operation monitoring, for the control, management and automation of heat generating objects;
- Creation of optimized systems for monitoring and energy audit of heat energy objects.

Estimated project annual reductions of GHG emissions, in particular CO₂, will be about 605.626 thousand tons per year after project complete implementation, comparing to business-as-usual or baseline scenario.

Implementation of the project will provide substantial economic, environmental, and social benefits to the Dnipropetrovsk region. Social impact of the project is positive since after project implementation the heat supply service will be improved and tariffs for heat energy will not be raised to cover rehabilitation costs.

Environmental impact of the project is expected to be very positive as emission of the greenhouse and toxic gases such as CO₂, NO_x, and CO will be reduced. Also due to a better after-implementation service, some part of population will cease to use electric heaters thus reducing electricity consumption, which is related to power plants emissions of CO₂, SO_x, NO_x, CO and particulate matter.

Estimated project risks are limited and minimized. Ukraine has claimed the district heating and municipal energy sector as a priority for the national energy-saving development.

**A.3. Project participants:**

<u>Party involved</u>	<u>Legal entity project participant</u> (as applicable)	Please indicate if the <u>Party involved</u> wishes to be considered as <u>project participant</u> (Yes/No)
Ukraine (Host Party)	OJSC “Oblteplocmunenergo”	No
SWITZERLAND	VEMA SA	No

- ***OJSC “Oblteplocmunenergo”***: organization acting as Project Applicant and Supplier of GHG emission reductions on behalf of all partners of the Contract on Joint Activity (#353/1 dated 18.08.2010) It represents the interests of partners of the Contract and is responsible for the organizational aspects of JI project.

Historical details:

The enterprise “Chernihivteplomerezha” was founded on the basis of Order No. 353 of the Minister of Municipal Housing of USSR and Decision No.#714 of the Executive committee of the City Council of Deputies from December 31st, 1968. It has started its work on January 1st, 1969. Since 1982 the enterprise became the regional production association “Chernihivteplomerezha”. On the 27-th of August, 1985, the enterprise was re-named to the Oblast Production Association (OPA) «Chernihivteplomunenergo». On 25.03.1992 the enterprise became State Municipal Enterprise (SME)“Oblteplocmunenergo”.

In 1995 the privatization of enterprise objects was hold. On 31.07.95 the SME “Oblteplocmunenergo” was re-named to the Open Joint Stock Company “Oblteplocmunenergo”

Today the OJSC “Oblteplocmunenergo” is the powerful heat supply complex. It has 12 boiler-houses and 2 heat supply stations, automobile division, repairing-mechanical division, pre-insulated pipes manufacture division, measuring devices repairing and testing division, metrological lab, etc. The heat energy is also produced by 107 rented boiler-houses. 18 operation divisions in the region belong to the enterprise. The enterprise supplies heat energy to over 270 thousand of consumers (population, housing and administrative buildings) in 22 settlements in Chernihiv Region. The installed heating load is nearly 288 Gcal/hour, hot water supply load – nearly 92 Gcal/hour. The part of the housing (populated) heated area is about 81%, of legal persons – 19%.

A.4. Technical description of the project:**A.4.1. Location of the project:**

The Project is located in Dnipropetrovsk Region of Ukraine, in the Eastern part of Ukraine (**Fig.1**).



Fig. 1. The map of Ukraine with dividing into regions and with neighboring countries

A.4.1.1. Host Party(ies):

The project is located in Ukraine.

Ukraine is an Eastern European country that ratified the Kyoto Protocol to UN FCCC on February 4th, 2004, enters into the list of the countries of the Appendix 1 and is eligible for the Joint Implementation projects.

A.4.1.2. Region/State/Province etc.:

The Project is situated in Dnipropetrovsk Region (Oblast). Dnipropetrovsk region is located in the Eastern part of Ukraine on the Dniper river. It has borders with 7 regions of Ukraine: Donetsk, Kharkiv, Poltava, Kirovograd, Mykolaiv, Kherson and Zaporizhka regions and it is occupying an area of 31.9 ths. km². The territory of Dnipropetrovsk region is divided into 22 administrative regions and 13 cities regional importance. Administrative centre of Dnipropetrovsk region is Dnipropetrovsk city, that is located at the geographical coordinates [48°28'N 35°07'E](#).

The population of the Dnipropetrovsk region is more than 3374.2 thousand inhabitants.

The climate of region is mostly mild-continental with - cool winter and warm summer. The average temperature in the winter balances from -5 °C to -7 °C and in the summer - +22 °C - +23 °C.

**A.4.1.3. City/Town/Community etc.:**

Dnipropetrovsk city, towns and villages of the Dnipropetrovsk Region:

Cities:

Dnipropetrovsk, Kryvyi Rih, Nikopol, Novomoskovsk, Dniprodzerzhinsk, Pavlograd, Ordzhonikidze, Pyatyhatky, Verhnedniprovsk, Pereschepino.

Districts:

Vasylkivskiy (Vasilkivka town, Velykooleksandrivka village, Chaplyne town, Dubovyky village, Shevchenkove village, Mykolaevka village, Grygorivka village);

Pokrovskiy (Pokrovske town, Oleksandrivka village, Gavrylivka village);

Petrykivskiy (Petrykivka town, Chaplyns village, Poboykivka village, Elyzavetivka village, Ivanivka village, Chervono-Partyzanske village, Hutirske village);

Sofiivskiy (Sofiivka town);

Solonyanskiy (Solone town).

A.4.1.4. Detail of physical location, including information allowing the unique identification of the project (maximum one page):

It should be noted that the district heating systems from almost all territorial districts of the Dnipropetrovsk Region are involved in the project (Fig. 2). Places involved in the project are marked with blue circles.

OJSC “Oblteplocomunenergo” is empowered to represent the interests of heat-supply enterprises of Dnipropetrovsk Region.

The enterprise Municipal enterprise RME “Dniproteploenergo” includes 9 daughter enterprises:

DE “Novomoskovskteploenergo”;

DE “Petrykivkateploenergo”;

DE “Vasylkivkateploenergo”;

DE “Pokrovkateploenergo”;

DE “Pyatyhatkyteploenergo”;

DE “Verhnedniprovskteploenergo”;

DE “Sofiivkateploenergo”;

DE “Pereschepynoteploenergo”;

DE “Soloneteploenergo”.

They are included into the project.

Beside this project includes boiler-houses of the following enterprises:

ME “Dniprodzerzhinskteplomerezha”;

Nikopol municipal enterprise “Nikopolteploenergo”;

ME “Pavlogradteploenergo”;

OCME “Ordzhonikidzeteploenergo”;

ME “Teploenergo” DCC;

CME “Dnipropetrovski miski teplovi merezhi”;

MEHSN “Kryvorizhtepplomerezha”.

In 2006 the change of operator for boiler-houses ##1-150 in the project took place. These objects have been operated by RME “Dniproteploenergo” during 2002-2005, and since 2006 till present the majority of them are operated by ME “Teploenergo” DCC.

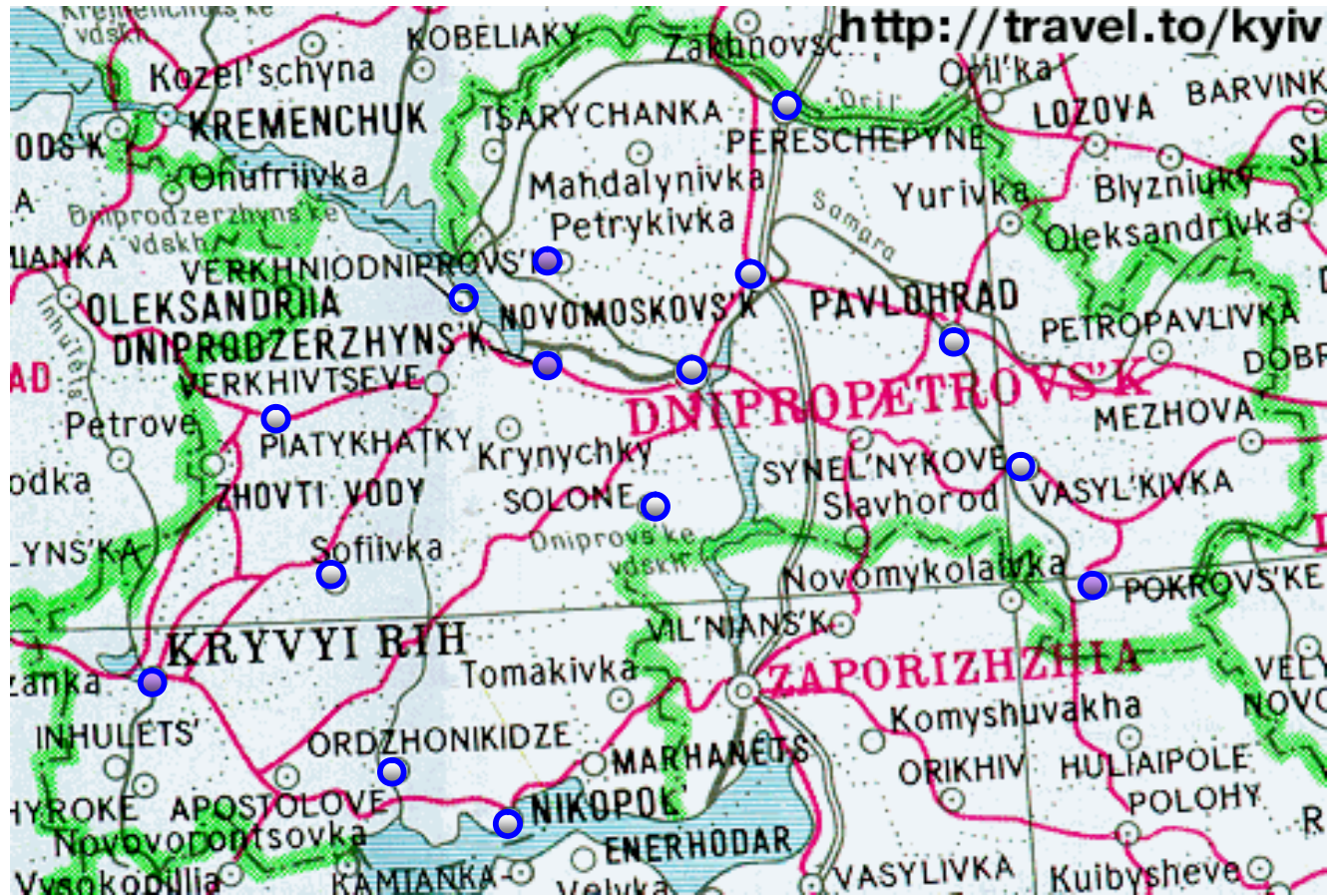


Fig. 2. Location of Dnipropetrovsk Region's main cities and towns where project will be implemented.

A.4.2. Technology (ies) to be employed, or measures, operations or actions to be implemented by the project:

Measures that will be used to improve the efficiency of Dnipropetrovsk region DH utility are the follows:

- Obsolete boilers will be replaced by new highly efficient ones that will result in efficiency increase from 65-89% up to 90-96%.

Type of boiler	Website of boiler producer
KSVa	www.tekom.com.ua/kotel/vk.html
AOGV	http://www.teplocom-m.ru/aogv/
HERZ	http://www.herz-gmbh.com/
Buderus Logano	http://www.buderus.ua/
DE	http://www.tekom.com.ua/kotel/de/
DKVR	http://www.generation-eo.ru/par_kotly/dkvr
E-1	www.tekom.com.ua/kotel/e-details
TVG	www.tekom.com.ua/kotel/tvg.html
KVGM	www.pskovkotel.ru/catalog.html
KSVa	www.tekom.com.ua/kotel/vk.html
KOLVI	www.kolvi.com/index.php?option=com_content&task=blogcategory&id=11&Itemid=105
KVG	www.mktes.ru/catalogue/product_220
VK	http://tekom.com.ua/kotel/vk.html
Prextherm	http://www.ferroli.ru/equipment/19/
RTQ	www.riello.su/
MN	http://www.majak.ua/products/m_mn.html

Table 1. Boilers producer's web sites

New installed boilers after boiler-house rehabilitation are presented at the Fig. 3:



Fig. 3. The new boiler KSVa-1,25

- Rehabilitation of obsolete but able to work boilers with using various technologies, including developed by the Institute of Engineering Ecology (project partner), will lead to 6-9% increase in efficiency. Particularly, existing burners will be replaced by modernized ones, intensity of furnace heat exchange and heat transfer will be raised due to increasing of the radiant component, excess air inflows will be diminished due to improving of the gas impermeability of boilers, etc. Upgrading of boilers' burners will increase the efficiency by 3-5% due to improved combustion with excess air coefficient decreasing and reducing CO and NO_x emissions.
- Installation of water treatment system allows to reduce of losses in boilers due to decreasing of boilerscale. That brings to increasing of boiler's efficiency.
- Contact and surface heat-recovery gas-cleaning apparatuses (utilizers), including developed by the Institute of Engineering Ecology, will be installed in order to utilize and recover the exhaust gases heat as well as the additional heat of steam condensation, occurring when the temperature of exhaust gases fall below dew point. The implementation of this technology will result in increasing the fuel consumption efficiency by 7-9%.
- The efficiency of distribution networks system will be considerably increased by:
 - decreasing pipelines length (moving heat generating source closer to consumer);
 - improving of network organization (replacing 4-pipe lines by 2-pipe ones with simultaneous installation of heat exchangers directly at the consumers);
 - replacing of the main network pipes with diameter 25 mm and more by the pre-insulated ones;
 - decreasing of losses in pipelines (renovation of thermal insulation, packing of controlling, locking and fitting elements).



Fig.4. Pre-insulated pipes.

- Construction of quarter gas boiler-houses on the basis of existing central heat supply stations(HSS).
- Technical re-equipment of central heat supply stations with heat exchangers.

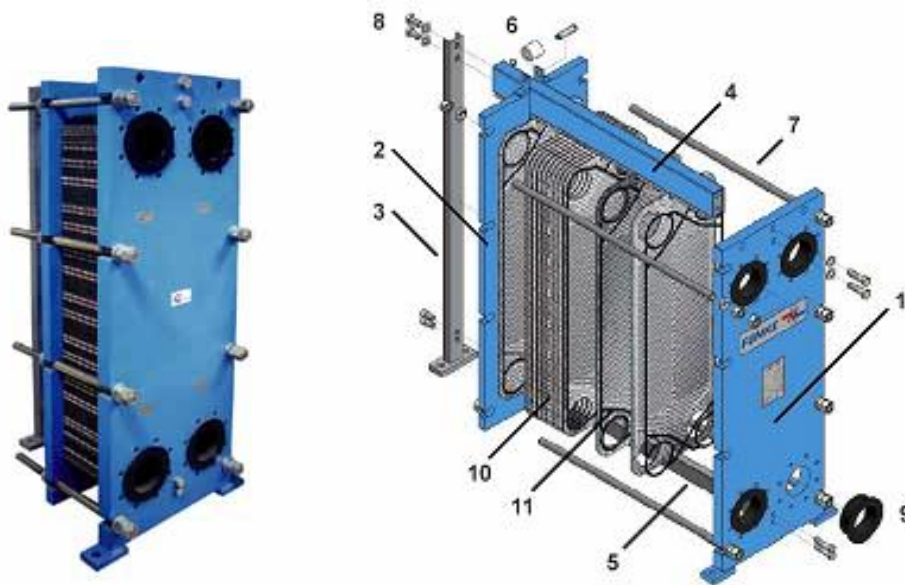


Fig.5.Heat exchangers produced by “Ukrteploenergo” corporation.

- Replacement of old pumps by the new ones will enable to reduce considerably power consumption for water pumping.
- Installation of frequency controllers at smoke exhausters’ electric drives will result in considerably energy saving (www.danfoss.com);
- Installation of automatic system for electricity counting control (ASECC). Characteristics are presented at the producer’s website <http://www.lec.com.ua/?z1=s,4>.
- Installation of combined heat and power production equipment.
- Use of modern devices of the heat account; monitoring systems of heat networks; the control, management and automation of warmly generating objects;
- Creation of optimum systems of monitoring and power audit of objects of power system;

The implementation schedule for the measures to be implemented is presented in Table 2.

#	Project stages	Period
1	Replacement of out-of-date low efficient boilers	2003-2012
2	Boiler equipment rehabilitation	2003-2012
3	Burners replacement	2004-2011
4	Installation of heat utilizers	2003-2012
5	Heat exchangers and pumps replacement	2006-2012
6	Implementation of frequency controllers	2006-2012
7	Rehabilitation of heat distribution networks	2003-2012
8	Installation of combined heat and power production equipment	2011-2012

Table 2. The implementation schedule for the measures to be implemented

Achieved results of employing of these technologies and measures are listed in the **Appendixes 1 - 5**.

This template shall not be altered. It shall be completed without modifying/adding headings or logo, format or font.



These technologies are already approved but some of them are not widespread. Therefore, there might be some bottlenecks, which are typical when implementing new technologies and equipment.

As to the first commitment period from 2008 to 2012, it is ensured that there is absolutely no risk that this technology will be substituted by any other technology during this time.

As far as the main activity of district heating enterprises that implement the project will not change in course of the JI project implementation, the special technical trainings for personnel are not necessary. The technical personnel of the enterprise have sufficient knowledge and experience for implementation of the project activity and maintenance of the usual equipment.

In cases of the new (never used at this enterprise before), equipment installation, the company - producer of this equipment should provide trainings for personnel.

District heating enterprises that implement the project provides personnel retraining according to the labour protection norms. The enterprises have the Labour protection department, which is responsible for raising the level of personnel skills and trainings.

The special training on the data collection according to Monitoring plan for this project was hold by the IEE, and the special group that consisted of representatives of OJSC “Oblteplocmunenergo” and Institute of Engineering Ecology was organized.

The special training on the data collection for Monitoring reports for this project is provided. Cost of it is included into the total price of PDD development.

A.4.3. Brief explanation of how the anthropogenic emissions of greenhouse gases by sources are to be reduced by the proposed JI project, including why the emission reductions would not occur in the absence of the proposed project, taking into account national and/or sectoral policies and circumstances:

The project activities, including rehabilitation of boilers and heat distribution networks, will increase energy efficiency of Dnipropetrovsk Region DH system, thus enabling it to produce the same amount of heat energy with less fuel consumed. Reduced fuel consumption will make lower CO₂ emissions.

In the absence of the proposed project, all equipment, including the old one, low efficient but still workable for a long life period, will operate in as-usual mode, and any emission reductions would not occur.

Ukraine has claimed district heating and municipal energy sector as a priority of the national energy-saving development. This is pointed out in the State Program for Reformation and Development of municipal economy for 2004-2010 (Law of Ukraine from 24.06.2004 № 1869-IV), The Law of Ukraine from 01.07. 1994 № 74/94-VR “On energy saving” and The Law of Ukraine from 22.12.2005 №3260- IV “On changes in The Law of Ukraine “On energy saving”. The law of Ukraine “On heat energy supply” (№ 2633-IV from 02.06.2005) regulates all relations in the heat supply market. It does not considerably change the previously existing practices in the market, but stimulates the more rigid energy saving and implementation of energy-efficient technologies.

**A.4.3.1. Estimated amount of emission reductions over the crediting period:**

In course of project implementation, the following emission reductions will be achieved, at the stages of project implementation:

Period before January 1, 2008:

	Years
Length of the crediting period	5
Year	Estimate of annual emission reductions in tonnes of CO₂ equivalent
2003	14886
2004	88962
2005	206324
2006	247668
2007	314519
Total estimated emission reductions over the early <u>crediting period</u> (tonnes of CO₂ equivalent)	872359
Annual average of estimated emission reductions over the early <u>crediting period</u> (tonnes CO₂ equivalent)	174472

Table 3. Estimated emission reductions for early crediting period before January 1, 2008 (2003-2007)

The First Kyoto Commitment period 2008 – 2012:

	Years
Length of the crediting period	5
Year	Estimate of annual emission reductions in tonnes of CO₂ equivalent
2008	387089
2009	424439
2010	472796
2011	533483
2012	605626
Total estimated emission reductions over the first commitment <u>period</u> (tonnes of CO₂ equivalent)	2423433
Annual average of estimated emission reductions over the first commitment <u>period</u> (tonnes CO₂ equivalent)	484687

Table 4. Estimated emission reductions during the first commitment period 2008 – 2012



The Post-first commitment period 2013 – 2030:

	Years
Length of the crediting period	18
Year	Estimate of annual emission reductions in tonnes of CO ₂ equivalent
2013	605626
2014	605626
2015	605626
2016	605626
2017	605626
2018	605626
2019	605626
2020	605626
2021	605626
2022	605626
2023	605626
2024	605626
2025	605626
2026	605626
2027	605626
2028	605626
2029	605626
2030	605626
Total estimated emission reduction over the post-first commitment period (tonnes of CO₂ equivalent)	10901268
Annual average of estimated emission reduction over the post- first commitment period (tonnes CO₂ equivalent)	605626

Table 5. Estimated emission reductions during the post- first commitment period 2013 – 2030

Total amount of Emission Reductions over the crediting period:

	Years
Length of the crediting period	28
	Estimate of annual emission reductions in tonnes of CO ₂ equivalent
Total estimated emission reductions over the crediting period (tonnes of CO₂ equivalent)	14197060
Annual average of estimated emission reductions over the crediting period (tonnes of CO₂ equivalent)	507038

Table 6. Estimated emission reductions during the crediting period

For more detailed information see **Appendixes 1 - 5**.



Description of formulae used to estimate emission reductions is represented in paragraph D.1.4.

A.5. Project approval by the Parties involved:

The project is already approved by local authorities, therefore, organizational risk for this project is minimized.

The project was initiated in 2002.

June, 2002 – Agreement was signed between the RME “Dniproteploenergo” and the Institute of Engineering Ecology on preparation of basic data for application for project on CO₂ Emissions Reduction due to fuel saving by system of the RME “Dniproteploenergo” (#476 dated 20.06.2002).

August, 2010 – Agreement on Joint Activity was signed between the OJSC “Oblteplocmunenergo” and the RME “Dniproteploenergo” including 9 daughter enterprises: DE “Novomoskovskteploenergo”; DE “Petrykivkateploenergo”; DE “Vasylykivkateploenergo”; DE “Pokrovkateploenergo”; DE “Pyatyhatkyteploenergo”; DE “Verhnedniprovskteploenergo”; DE “Sofiivkateploenergo”; DE “Pereschepynoteploenergo”; DE “Soloneteploenergo,” and ME “Dniprodzerzhinsktepplomerezha”; NME “Nikopolteploenergo”; ME «Pavlogradteploenergo»; OCME “Ordzhonikidzeteploenergo” (#353/1 dated 18.08.2010).

August, 2010 - Agreement was signed between OJSC “Oblteplocmunenergo” and Institute of Engineering Ecology on development of the Joint Implementation Project on Green House Gas Emission Reductions due to fuel saving through rehabilitation of the district heating system of Dnipropetrovsk Region (# 732/496 dated 20.08.2010).

November, 2010 - Ukrainian DFP – the National Environmental Investment Agency of Ukraine has issued the Letter of Endorsement for this project (#1901/23/7 dated 16.11.2010).

December, 2010 – Emission reductions purchase agreement relating to the JI project “Rehabilitation of the District Heating Systems in Dnipropetrovsk Region” was signed between OJSC “Oblteplocmunenergo” and VEMA S.A. company (dated 08/12/2010).

December, 2010 - The PDD for this project Version 03 dated December 15, 2010 was positively determined by Bureau Veritas Certification Holding SAS (the Determination Report # UKRAINE-DET /0186/2010 dated 22.12.2010).

January, 2011 - The Federal Office for the Environment (FOEN), Switzerland (Party of Buyer), has issued the Letter of Approval for this project No. J294-0485 dated 24.01.2011.

March, 2011 - The National Environmental Investment Agency of Ukraine has issued the Letter of Approval for this project #569/23/7 dated 16.03.2011.

April, 2011 – The National Environmental Investment Agency of Ukraine has confirmed this JI project under Track 1 procedure by the Order No. 50 dated April 1, 2011.

April, 2011 – The Monitoring Reports for RME “Dniproteploenergo”, DE “Novomoskovskteploenergo”; DE “Petrykivkateploenergo”; DE “Vasylykivkateploenergo”; DE “Pokrovkateploenergo”; DE “Pyatyhatkyteploenergo”; DE “Verhnedniprovskteploenergo”; DE “Sofiivkateploenergo”; DE “Pereschepynoteploenergo”; DE “Soloneteploenergo” and ME “Dniprodzerzhinsktepplomerezha”; NME “Nikopolteploenergo”; ME “Pavlogradteploenergo”; OCME “Ordzhonikidzeteploenergo” during the monitoring periods 01.01.2003-31.12.2007; 01.01.2008-31.12.2008; 01.01.2009-31.12.2009; 01.01.2010-31.12.2010 were verified by Bureau Veritas Certification Holding SAS (the JI Verification Reports #UKRAINE-ver/0183/2010 dated 08/04/2011; #UKRAINE-ver/0220/2011 dated 08/04/2011; #UKRAINE-ver/0221/2011 dated 08/04/2011; #UKRAINE-ver/0222/2011 dated 08/04/2011).

April, 2011 – The ITL number UA1000254 was assigned to the project. Transaction of ERUs in total amount 137597 ths t CO₂e (53642 ths t CO₂e for 2008, 55116 ths t CO₂e for 2009 and 28839 ths t CO₂e for 2010) was made.



June, 2011 – The supplementary agreement No.4 dated 16.06.2011 to Agreement #353/1 dated 18.08.2010 was signed. According to it the MEHSN “Kryvorizhtplomerezha”, the ME “Teploenergo” of Dnipropetrovsk City Council and CME “Dnipropetrovski miski teplovi merezhi” have joined the Joint Activity (as the project partners).

**SECTION B. Baseline****B.1. Description and justification of the baseline chosen:**

According to the “Guidelines for users of the JI PDD form” version 04¹, the baseline shall be established on a project-specific basis, or where applicable, project participants may opt to apply approved clean development mechanism (CDM) baseline and monitoring methodologies.

In course of development of the JI project “Rehabilitation of the District Heating Systems in Dnipropetrovsk Region”, in accordance with paragraph 9(a) of the “Guidance on criteria for baseline setting and monitoring”, the project specific approach was used, developed in accordance with appendix B “Criteria for baseline setting and monitoring” of the JI guidelines.

This project specific approach is partly similar to the Baseline and monitoring methodology AM0044 “Energy efficiency improvement projects: boiler rehabilitation or replacement in industrial and district heating sectors” (version 1)², however the AM0044 can not be used for the JI project “Rehabilitation of the District Heating Systems in Dnipropetrovsk Region” since this project has some differences from applicability conditions of this methodology.

The main complication for implementation of the JI projects on district heating in Ukraine is the practical absence of monitoring devices for heat and heat-carrier expenditure in the municipal boiler-houses. Only the fuel consumption is registered on a regular basis. It makes practically impossible the application of AM0044 methodology which basic moment is monitoring of the value $EG_{PJ, i, y}$ (heat energy output of project boiler ‘i’ in year y), which should be measured every month by flow-meters (the expenditure of heat-carrier) and thermal sensors (temperatures at the input and output of the boiler, etc.).

Besides, in section "Scope of Application" it is mentioned, that the scope of application of the Methodology AM0044 is limited only to the increase of boilers’ efficiency by means of their replacement or modernization, and it does not apply to the fuel type switch. Our project includes also some other kinds of modernization such as the replacement of burner equipment, installation of cogeneration units, etc.

Approved Consolidated Methodology ACM0009 “Consolidated baseline methodology for fuel switching from coal or petroleum fuel to natural gas” (version 03.2)³ proposes the dependences for calculation the amounts of baseline and reported year emissions that contain determination of Energy efficiency $\epsilon_{project, i, y}$ and $\epsilon_{baseline, i}$ for equipment. In the chapter “Baseline emissions” there is an explanation that: Efficiencies for the project activity ($\epsilon_{project, i, y}$) should be measured monthly throughout the crediting period, and annual averages should be used for emission calculations, Efficiencies for the baseline scenario ($\epsilon_{baseline, i}$) should be measured monthly during 6 months before project implementation, and the 6 months average should be used for emission calculations.

However, as it was mentioned before in this report, the majority of boiler-houses in Ukraine are not equipped with devices for heat-carrier expenditure definition or heat meters. There is only one parameter that is regularly and with high precision defined in the boiler houses – fuel consumption.

In additional, the proposition in ACM0009 to take the baseline efficiency of equipment equal to 100% is unacceptable in “District Heating” type projects, because not only fuel switch, but mainly namely increasing of equipment (boilers) efficiency are implemented in these projects. Accepting of such calculated baseline would lead to essential underestimation of results of implemented measures. And, anyway, as it was shown before, this would not solve the problem with impossibility of monthly measurements for getting energy efficiency $\epsilon_{project, i, y}$.

The Approved Methodology AM0048 “New cogeneration facilities supplying electricity and/or steam to multiple customers and displacing grid/off-grid steam and electricity generation with more carbon-intensive

¹ <http://ji.unfccc.int/Ref/Documents/Guidelines.pdf>

² http://cdm.unfccc.int/UserManagement/FileStorage/CDMWF_AM_L4AQZSBA770KNI0BUSG1JVIWCXIFU5

³ <http://cdm.unfccc.int/UserManagement/FileStorage/K4P3YG4TNQ5ECFNA8MBK2QSMR6HTEM>



fuels” (version 03)⁴ already in its title shows the scope of applicability, that is different from the scope of the “District Heating” projects. In our projects, the cogeneration facilities produce hot water and not steam. Beside this, in according to AM0048 and its monitoring plan, it is necessary to realize, among other measurements, monthly measurement of $SC_{PCSG,i,y}$ (Total steam self-generated by project customer ‘i’ during year ‘y’ of the crediting period, TJ), measured by the steam meter at the customer ‘i’. Thus Methodology AM0048 couldn’t be implemented in original. In principle, it could be modified for conditions of hot water production for heating and hot water supply systems, but this will require modification of monitoring plan with introduction of other parameters that it is necessary to measure and register. But it would be the another methodology, that would require to measure such parameters as heat output, or hot water output with its temperature (in analogy with requirements of Methodology AM0048 to measure steam output, its pressure and temperature).

In view of above mentioned, the specialists of the European Institute for safety, security, insurance and environmental technics “SVT e.V.” (Germany) and of the Institute of Engineering Ecology (Ukraine) have developed the project specific approach, which takes into account all activities involved in and the peculiarities of the JI projects on rehabilitation of the district heating systems in Ukraine.

This project specific approach is based on the permanent measuring of the fuel consumption and on amendment of the baseline for possible changes of parameters in a reported year. The changeable parameters may be the Net Calorific Value of fuels, quality of heating service, weather conditions, number of customers, etc. Taking into account only equipment efficiency change does not eliminate the possibilities of undersupply of heat to customers (worsening of heat supply service), and possible weather warming in reported year, change in fuel quality, disconnection of some consumers and other factors could lead to artificial overestimation of ERUs amount. The developed project specific approach eliminates any possibility to depreciate fuel consumption and correspondingly to underestimate GHG emissions due to underdelivery of heat to consumers.

This developed project specific approach has two important advantages (at least for Ukrainian conditions):

- It takes into account the quality of heat supply (heating and hot water supply). Almost annually for the various reasons (receiving of less amount and high price of the fuel, in particular natural gas which is nearly 95% of fuel type used in Ukraine for the needs of the municipal heat supply), the consumers receive less than necessary amount of heat, in the result of which the temperature inside the buildings is much lower than normative one, and hot water supply is insufficient or absent. As the purpose of JI projects, including the current project, is the GHG (CO₂) emission reduction under the conditions of not worsening in any circumstances of the social conditions of population, the issue of approaching of the heat supply quality to the normative one is extremely important. Therefore, the amount of the fuel consumption for the after project implementation period is calculated for the conditions of providing the normative parameters of heat supply and at least partially of hot water supply, and in accordance with the monitoring plan, the implementation of continuous control (monitoring) of its quality (measurement of internal temperature in the specific buildings as well as registration of residents’ complaints for the poor-quality heat supply) is foreseen. This increases the control for the qualitative heat supply for the consumers and excludes deliberate reduction of heat consumption, and, in such a way, of fuel consumption with the purpose of increasing of generation of GHG emissions reduction units (ERUs) at the project verification.
- Definition of the fuel consumption in base year (baseline) in view of the fact that in Ukraine at the majority of the municipal heat supply enterprises the natural gas is used as a fuel, which consumption is measured constantly by the counters with the high measurement accuracy, seems to be more exact, than definition of the fuel consumption with use of heat power, boiler efficiency and heat value of the fuel. This especially concerns the efficiency, which changes greatly depending on load of boilers, which also changes essentially, and often not automatically but manually, in the heat supply systems within a day and within a year. Averaging of such values without having of the heat account system is fraught with serious discrepancies. Definition of the fuel consumption in the presence of counters requires only data

⁴ http://cdm.unfccc.int/filestorage/EB52_repan06_AM0048_ver03.pdf?t=SHh8M0IHTFRBRkMxVINZNEhRVU84V1pE TjA2NTdFTVhKfDEyODgxNzIzNDEuNjc=|35jXwvrTnpGqUjSvdxUE9eB3Q6w=



collection and implementation of arithmetic actions.

Thus, in contrast to the methodologies AM0044, ACM0009 and AM0048, the specific project approach, developed for “District Heating” projects in Ukrainian conditions and applied in JI Projects “Rehabilitation of the District Heating System in Donetsk Region”, “District Heating System Rehabilitation of Chernihiv Region”, “Rehabilitation of the District Heating System in Crimea”, “Rehabilitation of the District Heating System in Kharkiv city”, “Rehabilitation of the District Heating System in Luhansk city”, “Rehabilitation of the District Heating System in Sevastopol City”, etc. is the most appropriate, precise, corresponding to the conservative approach, and the most closely reflects the aims, goals and spirit of Kyoto Protocol.

The baseline study will be fulfilled every year of the emission reduction purchasing, to correct adjustment factors which have an influence at the baseline.

For more detailed information see **paragraph D.1.**

There were three different versions of Baseline scenario that were discussed before starting this project.

The first version of Baseline scenario was a business-as-usual scenario with minimum rehabilitation works balanced by overall degradation of DH system. For this Baseline scenario there are no barriers (no investment barrier since this scenario doesn't require the attraction of additional investments, and no technological barrier since the equipment is operated by existing skilled personnel, and additional re-training is not required), and represent the common practice in Ukraine.

The second version of Baseline scenario was to make rehabilitation works without JI mechanism. In this case there exist both investment barrier since this scenario requires the attraction of large additional investments, and due to very large payback time and high risks it is not attractive for investments, and as well the technological barrier since operation of the new modern equipment will require additional re-training of personnel. Rehabilitation of heat supply equipment in order to improve its efficiency is not a common practice in Ukraine.

The third version of Baseline scenario was the shortened project activity, without any of the non-key type of activity, for example elimination of frequency controllers installation, etc., from the project. This makes project economically less attractive, with the longer pay back period.

Thus, the first version was chosen for Baseline scenario.

Status and adequacy of the current heat delivery system

Current supply of Dnipropetrovsk region DH systems is primarily based on Ukrainian and Russian made gas and coal fired boilers including: AOGV-96k, BGV-50, Bratsk 1G, VK-21, DE-25/14, DE-16/14, DE- 6.5/14, DKV20/13, DKV10/13, DKV2/8, DKVR-20/13, DKVR-10/13, DKVR-6.5/13, DKVR-4/13, E-1/9, E1/91G, E1/93G, IShMA-100-A, KBNG-3.5, KBNG-2.5, KVaS-0.8, KVG-7.56, KVG-6.5, KVG-4.65, KVGM-100, KVGM-50, KVGM-10, Kpa-0.25Gn, KSV-2.9G, KSVa-2.5 KSVa -0.63, KT-75, KTN 100 SE, KChM-10, MZK7AG, Minsk, MIT-630, MN-120, NIISTU-5, Nika, NM-150, NR-18, PKBMS-1M, PTVM-100, PTVM-50, PTVM-30M, TVG-8M, TVGM-30, Universal-3, Fakel, THW4000, THW8000, JUMBO. Detailed information is presented in **Appendix 1**. Current efficiencies of these boilers are in the range of 65-89 %.

Current distribution networks are characterized by heat losses to 30 %. Detailed information is presented in **Appendix 2 -5**.

Construction of the Baseline Scenario

Current operation of the Dnipropetrovsk region's district heating system results in continuous deterioration of the heat-generating and distribution equipment, followed by continuous slight efficiency droop. However, at the same time operative maintenance increases efficiency, which pretty much compensates deterioration, and makes annual total emissions level (the Baseline) about the same for years.

Calculation of Baseline Carbon Emission Factors



For all fuels we used CO₂ emission factors from IPCC 1996 Guidelines for National Greenhouse Gas Inventories Vol.2 Energy⁵

Cef (natural gas) = 0.0561 tCO₂/GJ;

Cef (coal) = 0.0946 tCO₂/GJ (was taken as “Other bituminous coal”).

The CO₂ emission factors for the fuels are assumed to be the same for period 2002-2012. For our calculations it is assumed that the Net Calorific Value of a fuel (NCV) doesn't change during that time, however in the Monitoring Plan the NCV factor will be taken into account for the baseline adjustment for any year until 2012.

Ukraine has the united state power grid, therefore the averaged values for Carbon Emission factors (CEF) for electricity production (for the JI projects on reducing electricity consumption in Ukraine) should be used. The following CEF values are used in calculations in PDD (see Annex 2).

Year	CEF _c tCO ₂ e/MWh
2002	0,956
2003	0,936
2004	0,916
2005	0,896
2006	0,896
2007	0,896
2008	1.219
2009	1.237
2010	1.225
2011-2030	1.227

Table 7. The Carbon Emission factors (CEF) used for calculations in PDD

NCV of fuels changes insignificantly from year to year. Table 8 gives average NCV of fuels used by district heating enterprises.

Fuel type	Average Net Calorific value of fuel
	MJ/m ³ (MJ/kg)
Natural gas	34.5
Coal	19.8

Table 8. Average Net Calorific value of fuels

Calculation of conversion factors of CO₂:

CF (Conversion Factor) = NCV (Net Calorific Value)* Cef (Carbon Emission Factor)

CF (natural gas) = 34.5 [GJ/1000 m³]*0.0561 [tCO₂/GJ] = 1.935 [tCO₂ / 1000 m³ of natural gas];

CF (coal) = 19.8 [GJ/1000 kg]*0.0946 [tCO₂/GJ] = 1.873 [tCO₂/ t of coal].

Activity Level

⁵ <http://www.ipcc-nggip.iges.or.jp/public/gl/invs5a.html>



Activity level is represented by annual fuel consumption. For calculation of Baseline emissions, the 2002 was taken as the Base year. This year is one of the typical years concerning the outside temperature in heating period, as well as concerning the conditions of production and consumption of the heat. For boiler houses that were taken to balance of district heating enterprises after starting of the project and if data for 2002 are unavailable, the Base year is established as the year previous to the first year in which an enterprise started to operate a boiler house (see table below).

District heating enterprise that implement the project (project partner)	Boiler house	Base year
RME "Dniproteploenergo"	Gogolya str., 17	2004
	Robocha str., 24a	2005
	Naberezhna-Lenina str., 6	2005
	Shevchenko str., 8	2004
ME "Dniprodzerzhinskteplomerezha"	Kirova str., 2	2007
	Altayska str.,32-a	2004
	B.Hmelnitskogo str.,7	2004
ME "Teploenergo"	Harytonova str., 12a	2008
	Pratsi ave., 22, 24	2009
CME "Dnipropetrovski miski teplovi merezhi"	For all boiler houses, excluding:	2003
	st.Semaforma 16	2006
	st.Lypova 1	2007
	st.Lisoparkova 9	2008
	st.Zapasna 7	2010
	st.Arzhanova 5t	2010
	ave.Vorontsova 29 D-1 A-1	2004
	st.Karuny 115	2004
	st.Minusynska 250	2004
	st.Bilostotskoho 112	2004
	st.Artekivska 24	2004
	st.Reshetylivska 12	2004
	st.Divocha 11	2004
	st.Zhelvakivskoho 111	2005
	st.Molyera 31a	2005
	st.Saranska 2a	2005
	ave.K.Marksa 109	2004
	ave.K.Marksa 123a	2005
	st.Chkalova 27	2005
	ave.K.Marksa 98	2008
st.Trudova 1a	2005	
Sumskaya 30	2005	
st.Aviatsiyana 2	2005	
Pryvokzalna 8d	2005	
st.Kryvorizka 70	2006	
st.Diamantna 4	2008	
ave.Metalurhiv 41A	2008	
st.Zapadna 2	2009	
st.Patorzhynskoho 17d	2005	



	st.8 of Bereznya	2005
	st.Sevastopolska 1	2005
	Lotsmanskyy uzviz, 2	2005
	st.Lotsmanska 4	2005
	st.Olesya Gonchara 8	2007
	st.Potochna 1	2005
	st.Schepkyna 8	2005
	ave.Kalinina 27	2009
	st.Schepkyna 39K	2010
	st.Syerova 1a	2004
	st.Komsomolskaya 24	2004
	st.Moskovska 21	2004
	st.Karla Libknehta 67	2005
	st.Geroev Stalingrada 122d	2005
	st. Chervona 22A	2006
	ave.K.Marksa 60	2007
	st.Kyrhyzka 10	2007
	st.Shynna 2	2010
MEHSN "Kryvorizhtplomerezha"	For all boiler houses, excluding:	2004
	City Hospital # 6	2005
	School № 5	2009
	School № 30	2009
	Komunistychna, 43	2010
	City Hospital #3 (steam)	2006



The base line fuels and electricity consumption are represented in Table 9.

District heating enterprise that implement the project (project partner)	Baseline natural gas consumption, ths Nm ³ /yr	Baseline coal consumption, t/yr	Baseline power consumption by boiler houses and heat supply stations, MWh
RME "Dniproteploenergo"	72702	0	15587
DE RME "Dniproteploenergo" "Pyatyhatkyteploenergo"	2241	0	454
ME «Pavlogradteploenergo»	44398	0	11025
DE RME "Dniproteploenergo" "Pokrovkateploenergo"	2072	0	369
DE RME "Dniproteploenergo" "Sofiivkateploenergo"	1037	0	196
DE RME "Dniproteploenergo" - "Vasykivkateploenergo"	3079	0	626
DE RME "Dniproteploenergo" "Pereschepynoteploenergo"	1378	0	189
DE RME "Dniproteploenergo" "Verhnedniprovskteploenergo"	4825	0	887
NME "Nikopolteploenergo"	22457	0	5846
DE RME "Dniproteploenergo" "Solonetploenergo"	1401	0	186
DE RME "Dniproteploenergo" "Petrykivkateploenergo"	844	708	257
OCME "Ordzhonikidzeteploenergo"	12006	0	6667
DE RME "Dniproteploenergo" "Novomoskovskteploenergo"	12769	0	3412
ME "Dniprodzerzhinskteplomerezha"	30074	0	6493
ME "Teploenergo"	56615*	0	11546*
CME "Dnipropetrovski miski teplovi merezhi"	330792	0	80476
MEHSN "Kryvorizhtepplomerezha"	231561	0	58553

* Partly is already accounted for RME "Dniproteploenergo"

Table 9. Baseline fuel and electricity consumption

Detailed information is represented in **Appendix 1**.

Calculation of Baseline Carbon Emissions

There are 2 kinds of emissions which are included in the baseline:

- 1) Emissions from boilers which are operated by systems of a heat supply in Dnipropetrovsk region. Baseline calculations were based on the assumption that baseline emissions from boilers operated by the Applicant during any report year (2003-2012) remain the same as in the basis year 2002.
- 2) Emissions from current power consumption from the state grid which will be reduced due to implementation of energy saving measures at boiler-houses.

Calculation of resulting annual Baseline Carbon Emissions, that would take place during typical heating period if systems of a heat supply in Dnipropetrovsk region remains unchanged, see in **Appendix 7 (Baseline)**.

The key information and data used to establish the baseline are provided in tables below:

Data / Parameter	B_b
Data unit	ths. m ³ (t)
Description	Fuel consumption by boiler-houses in the base year
Time of determination/monitoring	Once after the end of the base year
Source of data (to be) used	District heating enterprises that implement the project
Value of data applied (for ex ante calculations/determinations)	B _b (natural gas) = 775014 ths.m ³ ; B _b (coal) = 708 t
Justification of the choice of data or description of measurement methods and procedures (to be) applied	Measurements are taken by gas meters at each boiler-house. Purchasing of coal is realized in accordance with invoices. Consumption of coal is measured by wheelbarrows and pails then recalculated to weight
QA/QC procedures (to be) applied	Equipment is calibrated and inspected according to the State Standard of Ukraine № 2708:2006 "Metrology. Calibration of measuring equipment. The organization and procedure" ⁶ .
Any comment	The basic data allowing calculation of GHG emissions in base year

Data / Parameter	P_b
Data unit	MWh
Description	Electricity consumption in the base year
Time of determination/monitoring	Once after the end of the base year
Source of data (to be) used	District heating enterprises that implement the project
Value of data applied (for ex ante calculations/determinations)	191485
Justification of the choice of data or description of measurement methods and procedures (to be) applied	Measurement by electric power meters
QA/QC procedures (to be) applied	Equipment is calibrated and inspected according to the State Standard of Ukraine № 2708:2006 "Metrology. Calibration of measuring equipment. The organization and procedure".
Any comment	The basic data allowing calculation of GHG emissions in base year

⁶ <https://oscill.com/files/27082006.pdf>



Data / Parameter	NCV_b
Data unit	MJ/m ³ (MJ/kg)
Description	Average annual Net Calorific Value of fuel in the base year
Time of determination/monitoring	Once after the end of the base year
Source of data (to be) used	District heating enterprises that implement the project
Value of data applied (for ex ante calculations/determinations)	NCV _b (natural gas) = 34.5 MJ/m ³ ; NCV _b (coal) = 19.8 MJ/kg
Justification of the choice of data or description of measurement methods and procedures (to be) applied	Fuel Supplier's Report
QA/QC procedures (to be) applied	N/A
Any comment	Data allowing calculation of GHG emissions in base year

Data / Parameter	Cef
Data unit	t CO ₂ /GJ
Description	Carbon emission factor
Time of determination/monitoring	Once after the end of the base year
Source of data (to be) used	Normative documents
Value of data applied (for ex ante calculations/determinations)	Cef (natural gas) = 0.0561 tCO ₂ /GJ; Cef (coal) = 0.0946 tCO ₂ /GJ; (taken as "Other bituminous coal").
Justification of the choice of data or description of measurement methods and procedures (to be) applied	IPCC 1996 Guidelines for National Greenhouse Gas Inventories Vol.2 Energy
QA/QC procedures (to be) applied	N/A
Any comment	Data allowing calculation of GHG emissions in base year

Data / Parameter	CEF_e
Data unit	t CO ₂ /MWh
Description	Carbon emission factor for electricity consumption
Time of determination/monitoring	Once after the end of the base year
Source of data (to be) used	Normative documents
Value of data applied (for ex ante calculations/determinations)	see Table 7
Justification of the choice of data or description of measurement methods and procedures (to be) applied	see Annex 2
QA/QC procedures (to be) applied	N/A
Any comment	Data allowing calculation of GHG emissions in base year

B.2. Description of how the anthropogenic emissions of greenhouse gases by sources are reduced below those that would have occurred in the absence of the JI project:

The anthropogenic emissions of GHG will be reduced due to complex modernization of heat generating and distribution equipment with application of the technologies proposed in the project activities and described above, which include replacement of old obsolete boilers by new ones with higher efficiency, installation of new modern burners as well as heat recovery apparatuses, renovation of degraded heat distribution networks with using the new insulation and the pre-insulated pipes.

The more obvious description of how the anthropogenic emissions of GHG are reduced below those that would have occurred in the absence of the JI project, may be represented by dynamic baseline, which is the function of the stage of project implementation (see Fig. 6).

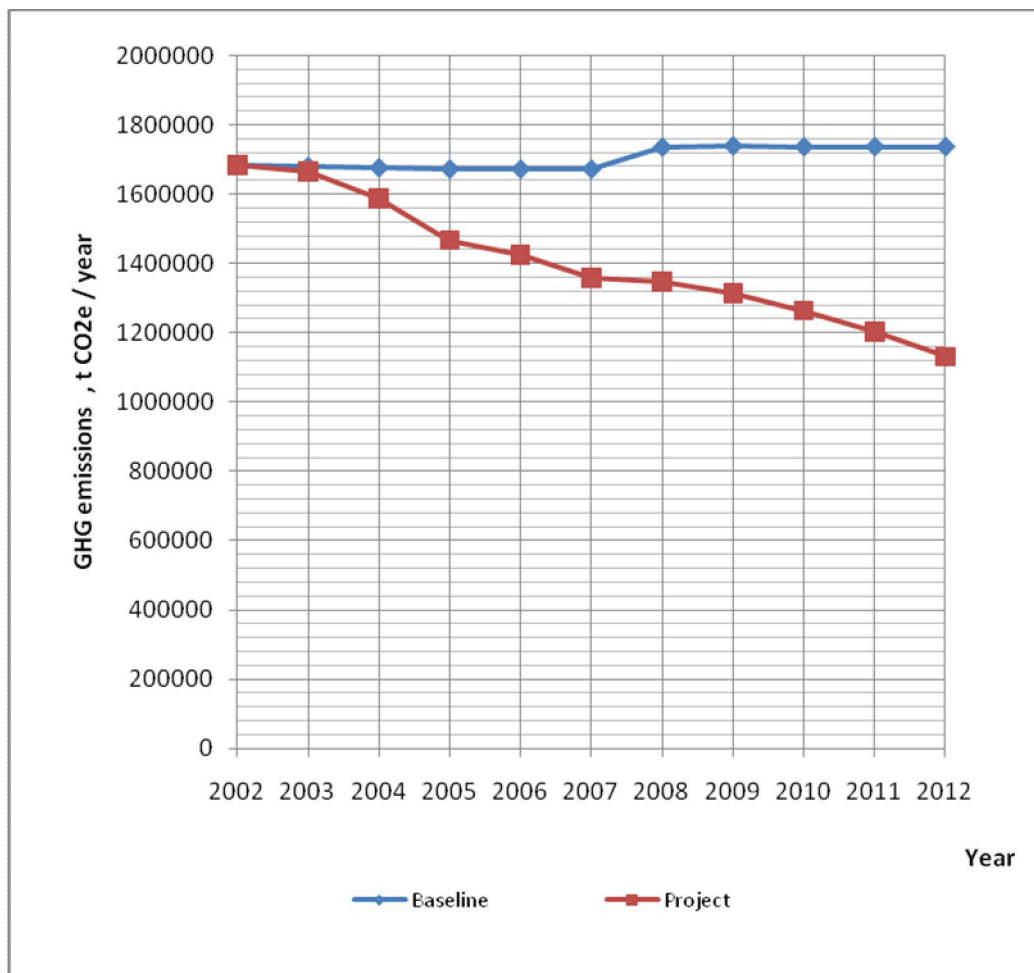


Fig. 6. Dynamic baseline and project GHG emissions

Additionality of the project

The additionality of the project activity is demonstrated and assessed below using the “Tool for the demonstration and assessment of additionality” (Version 5.2) (see Fig. 7). This tool was originally developed for CDM projects but can be applied to JI projects as well.

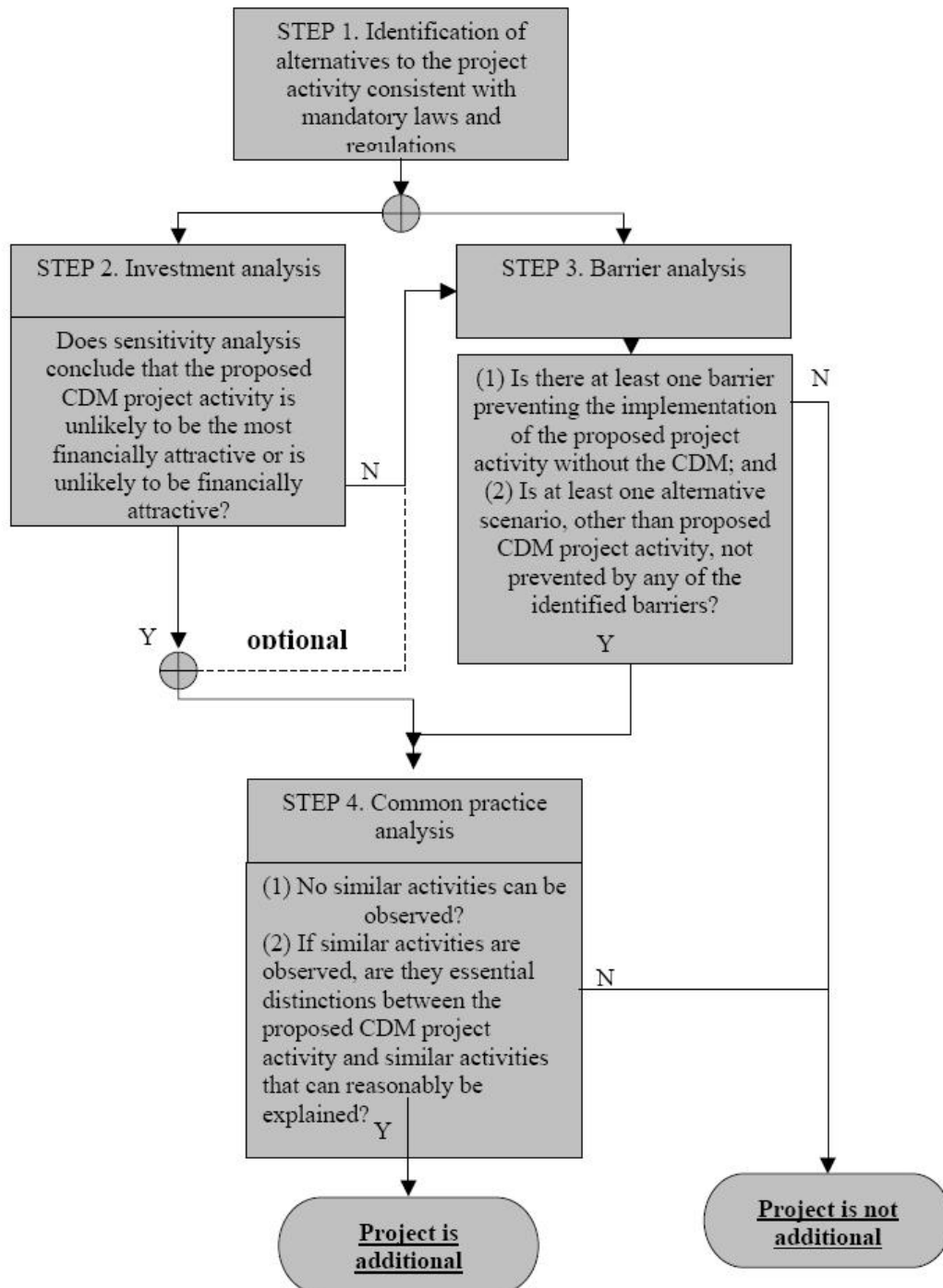


Fig. 7. Steps for demonstration of additionality



Step 1. Identification of alternatives to the project activity consistent with current laws and regulations

Sub-step 1a. Define alternatives to the project activity:

There are three alternatives to this project (as was already discussed in section B1).

1. The first alternative is continuation of the current situation (no project activity or other alternatives undertaken), i.e. business-as-usual scenario with minimum rehabilitation works, approximately balanced by overall degradation of the DH system.

It should be noted that there is no local legislation regarding the time of boilers replacement and maximum lifetime permitted for boilers. It is common practice to exploit boilers which was installed in 70 th. and even 50-60 th. and earlier in Ukraine, if they pass the technical examination pass by the authorized body (“Derzhnagliadohoronpratsi”).

2. The second alternative is to make rehabilitation works (the proposed project activity) without JI mechanism.

3. The third alternative is the shortened project activity, without any of the non-key type of activity, for example elimination of frequency controllers installation, etc., from the project.

Outcome of Step 1a: Three realistic and credible alternative scenarios to the project activity are identified.

Sub-step 1b. Consistency with mandatory laws and regulations:

According to The Laws of Ukraine “On licensing of the certain types of activity” (№ 1775-III, dated June 01, 2000) and “On heat energy supply” (№ 2633-IV dated 02.06.2005); Ukrainian Government Regulation "On introduction of changes to the Government Regulations №1698 dated 14.11.2000 and №756 dated 04.07.2001" №549 dated 19.04.2006 and "On approval of the list of licensing bodies" №1698 dated 14.11.2000, execution of economic activity in fields of heat energy production, distribution and supply require a license that is issued by Ministry of Housing and Municipal Economy of Ukraine.

District heating enterprises that implement the project have such licenses.

The Project “Rehabilitation of District Heating Systems in Dnipropetrovsk Region” has been prepared according to The Law of Ukraine dated 01.07.1994 №74/94-VR “On energy saving” and The Law of Ukraine dated 22.12.2005 №3260-IV “On changes in The Law of Ukraine “On energy saving”.

Outcome of Step 1b: The alternatives, which are: to continue business-as-usual scenario, to execute rehabilitation works without JI mechanism and to implement shortened project activity, without any of the non-key type of project activity, are in compliance with the mandatory laws and regulations.

Hence, the Step 1 is satisfied.

According to the “Tool for the demonstration and assessment of additionality” (Version 5.2), for further additionality analysis it is possible to follow the Step 2 or Step 3 (or both).

Step 2. Investment analysis.

Sub-step 2a: Determine appropriate analysis method

The appropriate analysis method is to be chosen in dependence of generating of financial or economic benefits by the project. If project activity generates no financial or economic benefits other than JI related income, then the simple cost analysis (Option I) may be applied, otherwise the investment comparison analysis (Option II) or the benchmark analysis (Option III) should be used.

The main source of income of the district heating enterprises in Ukraine are payments from customers according



to the tariffs that are regulated by the “Procedure of setting tariffs for production, transportation and supply of heat energy and for centralized heating and hot water supply services”⁷.

According to this Procedure, tariffs are to be set on the base of the scheduled prime cost, and doesn’t allow to obtain benefit from reduction of fuel, power, raw materials, etc. consumption. Any reduction of expenses for these raw inputs should result in decrease of tariffs for the end consumers and corresponding decrease of an enterprise’s revenue, thereby the enterprise doesn’t obtain additional revenue.

Thus, the simple cost analysis (Option I) may be applied.

Sub-step 2b: Option I. Apply simple cost analysis

Implementation of the project activity will require substantial additional investments – about 76.5 million EUR only for the main equipment installation / rehabilitation. The prices for the new equipment, that is planned to be installed in the project, are represented on the sheets “Parameters” in the **Appendixes 1-5** in Excel format, based on the averaged prices of the manufacturers. These prices are used for calculations of investment costs, and should be corrected in future according to actual manufacturer’s prices (changed due to inflation, etc.).

The required investments for implementation of the project “Rehabilitation of District Heating Systems in Dnipropetrovsk Region” include the costs of the main equipment installation / rehabilitation listed in the Table 10, as well as the auxiliary costs such as personnel training, maintenance control, systematic data collection and archiving, etc.

#	The measures for energy efficiency improvement	Ths. EUR
1	Replacement of out-of-date low efficient boilers	4856.21
2	Boiler equipment rehabilitation	7179.57
3	Burners replacement	3661.10
4	Installation of heat utilizers	525.80
5	Heat exchangers and pumps replacement	85.00
6	Implementation of frequency controllers	1905.00
7	Rehabilitation of heat distribution networks	57208.50
8	Installation of combined heat and power production equipment	1076.59
	Total	76497.77

Table 10. The cost of measures for energy efficiency improvement

Estimated costs for implementation of the defined above alternatives to the project activity:

1. For the first alternative (continuation of the current situation, business-as-usual scenario) no additional investments are required.
2. For the second alternative (the proposed project activity without JI mechanism) the required additional investments are the same as for the project activity.
3. For the third alternative (shortened project activity) the required additional investments are less then the ones required for the project activity.

Outcome of Step 2: There is at least one alternative which is less costly than the project activity.

Hence, the Step 2 is satisfied.

⁷ <http://www.kmu.gov.ua/kmu/control/uk/cardnpd>



Step 3: Barrier analysis

Sub-step 3a: Identification of barriers that would prevent the implementation of the proposed project activity

Investment barriers

The general situation in District Heating sector in Ukraine may be characterized as quite insufficient, and is analyzed and described in several available reviews and reports. Some citations, especially describing technical and financial situation, are given below.

“The existing district heating systems suffer from the same, well-known problems as those in other Central and European Countries. Old-fashioned Russian technology, oversized equipment, neglected maintenance and repairs, have resulted in increasing inefficiency. Typically, the overall efficiency of the DH systems (from fuel consumption in boilers to heat supplied to the building entrance) is about 50%. Including the losses within the buildings, it is estimated that only one third of the energy of the fuel is useful heat for the final consumers.

The bad technical state of the DH systems has its counterpart in the bad financial state. Non cost-covering tariffs can not meet the revenue requirements and subsidy payments are too small to cover all costs and are often delayed. In addition, collection rates are going in line with increasing tariffs” [Report: Market Potential for District Heating Projects in the Ukraine and their Modernization with Austrian Technology, Vienna, 2004, p.3]⁸

“The current regulatory framework and tariff policy makes it difficult to attract private investors to district heating. Yet the main stakeholders, *e.g.* municipalities and residents, in most cases lack the necessary financing capacity. (P. 324).

District heating in Ukraine suffers from inefficiency and urgently needs investment in refurbishment and modernisation. ... Yet, the current policy framework does not make district heating attractive for investment, which undermines its sustainability. Barriers to investment and efficiency improvements include (but are not limited to): the current pricing policy; lack of metering; the focus on heat production, not consumption; unclear ownership and management of buildings; and difficult access to financing for interested parties. It is vital to create adequate policy and regulatory conditions for attracting private investments in the sector.” (P. 328). [UKRAINE ENERGY POLICY REVIEW 2006, OECD/IEA, 2006]⁹.

“District heating suffers from inefficiency and low level of investment. The major impediments for investment include the unclear pricing policy, unregulated management and ownership conditions, the accumulated debt of heat producers” [Overview of Heating Sector in Ukraine, CASE, 2007]¹⁰.

The energy efficiency projects in the district heating sector in Ukraine could not be implemented at the expense of tariffs for heat energy, since the innovative constituent in tariffs is usually absent, and even “In some regions of Ukraine heat tariffs are below the cost coverage level, which results in debt accumulation of heat producers to the creditors (fuel supply companies, staff etc.)” [Overview of Heating Sector in Ukraine, CASE, 2007¹¹].

Moreover, no bank gives credits without the proper guarantees. District heating enterprises that implement the project are communal ownership enterprises, and all their main funds belong to territorial population. For this reason the property of enterprises can not be a credit mortgage. Thus, the DH system rehabilitation without additional external investments (grants, subsidy, subvention, etc.) practically isn't possible, and in current situation practically only municipal or state financing might be used for this purposes. But Ukrainian government does not have enough funds for this, and insufficiency and delay of the budget financing of activity

⁸ [http://www.energyagency.at/\(publ\)/themen/elektrizitaet_index.htm](http://www.energyagency.at/(publ)/themen/elektrizitaet_index.htm)

⁹ http://www.iea.org/Textbase/publications/free_new_Desc.asp?PUBS_ID=1819

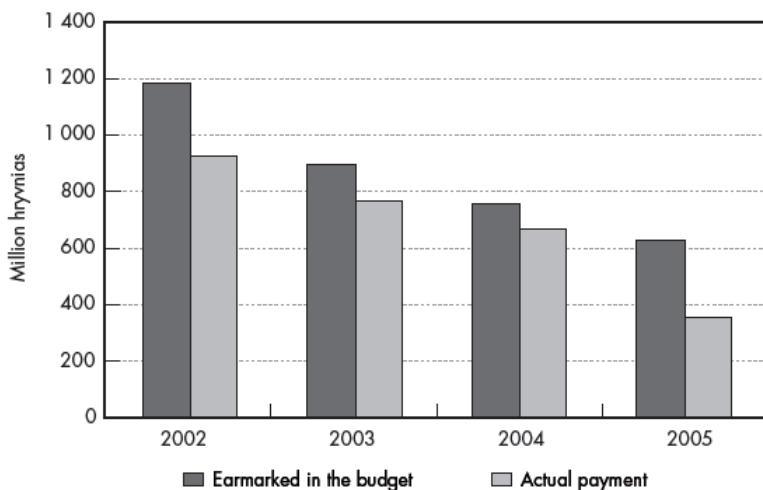
¹⁰ www.case-ukraine.com.ua

¹¹ www.case-ukraine.com.ua

in this sector is the main its problem.

Moreover, the real budget financing is usually significantly lower than scheduled (see diagram below, [UKRAINE ENERGY POLICY REVIEW 2006, OECD/IEA, 2006].

State Budget Subsidies for Housing and Communal Services Payments, 2002-05



Source: Ministry of Construction, Architecture, Housing and Communal Services.

Fig.8. Diagram of the real State budget subsidies for Housing and communal services payments

Also, as discussed earlier, “district heating tariffs do not cover costs and the difference must be covered by direct subsidies to heat providers, which come from local or state budgets”. But even these payments are often delayed or even not paid: “Budget payments, however, are often delayed, which results in significant accumulated debt to district heating companies” [UKRAINE ENERGY POLICY REVIEW 2006, OECD/IEA, 2006].

From the other side, the additional financing of the project activity from JI mechanism is not only important for project financing, but also is a very positive factor that even can allow shifting the priorities of budget financing, thus decreasing the investment barrier. The evidence for this, in particular for the very similar JI project on rehabilitation of the heat supply system of Chernihiv region, is available in the letter from the local authority – the Chernihiv Regional State Administration #01.04-05/1554 from 03.06.2008.

For this project, also the fact of signing of the external economic contract between OJSC “Oblteplocmunenergo” and the purchaser of the Emissions reduction units provides the priority for distribution of funds from the state and local budgets to the rehabilitation of the Dnipropetrovsk region district heating system, thus to provide fulfillment of international liabilities on the joint implementation project.

Technological barriers

1. Not all proposed technologies are widely approved already. Qualification of operational personal for implementation of the new technologies may be not sufficient to provide project implementation properly and in time.

Most of communal heating enterprisers in Ukraine fulfill annual minimal repairing of the DH system to keep it working. Particularly they execute repairing of networks and boilers parts that might cause accidents. The most economically feasible and realistic scenario without carbon credits sales is a very slow rehabilitation activity, instead of making a major overhaul of the heating system.

Most of proposed technologies are widely used in Ukraine for the similar JI projects. For example boilers replacement, network replacement with pre-insulated pipes, installation of frequency controllers, etc.



2. Efficiency of installed equipment could be lower than was claimed by producers or equipment may have substantial defects.
3. Available amount of natural gas. Last years Ukraine faced with incomplete delivery of natural gas from Russian Federation. Ukrainian Government realized attempts to decrease dependence from Russian natural gas delivery.

Organizational barriers

The management experience in implementation of JI projects is absent, including international collaboration, validation, verification, registration, monitoring of similar projects and so on.

Outcome of Step 3a: Identified barriers would prevent the implementation of the proposed project activity as well as of the other alternatives - to execute rehabilitation works without JI mechanism and to shortened project activity, without any of the non-key type of project activity.

Sub-step 3b: Explanation that the identified barriers would not prevent the implementation of at least one of the alternatives

One of the alternatives is to continue business-as-usual scenario. Therefore, as the barriers mentioned above are directly related to investing into upgrading of the Dnipropetrovsk Region district heating system, there is no impediment for district heating enterprises that implement the project to operate the district heating systems at its present level.

Outcome of Step 3b: The identified barriers would not prevent the implementation of at least one of the alternatives – the business-as-usual scenario.

Hence, the Step 3 is satisfied.

Step 4: Common practice analysis

Sub-step 4a. Analysis of other activities similar to the proposed project activity.

The common practice for district heating enterprises in Ukraine without JI is only a necessary repair of the old equipment, mainly in emergency cases, and not the renewal. Only with the JI component it is possible to obtain the necessary additional funds for real rehabilitation of the district heating system.

This is confirmed by the present situation that the real comprehensive rehabilitation of the district heating systems in Ukraine is performed only by the enterprises participating in JI projects. There are at least 7 District Heating Rehabilitation Projects with JI mechanism in Ukraine at advanced stages beside this project: for DH systems in Chernihiv region, Donetsk region, AR Crimea, Kharkiv city, Rivne region, Luhansk city, Sevastopol city. But other JI project activities are not to be included in Common practice analysis.

Outcome of Step 4a: Since the similar projects are not observed in the region, there is no basis for analysis of similar activities.

Sub-step 4b. Discuss any similar Options that are occurring

All District Heating Rehabilitation Projects in Ukraine are being implemented only within the framework of the Kyoto Protocol JI mechanism. In the absence of additional financing (such as grants, other non-commercial finance terms, carbon credits, etc) implementation of these projects would be impossible. Application of the JI



mechanism is the only incentive to implement such projects.

Outcome of Step 4b: Based on the available facts, the following conclusions may be made:

- Activities similar to this Project are not widespread in the housing and utilities sector of the Ukraine.
- These activities are not a result of national policy being pursued in respect to promoting the utilization of gas as a fuel in municipal heat supply systems.

Thus, the Project activities do not fall under the category of *common practice*.

Hence, the Step 4 is satisfied.

Conclusion

The results of the above discussed analysis lead to the conclusion that the project activity is additional.

B.3. Description of how the definition of the project boundary is applied to the project:

Boundaries for **Baseline scenario** are represented by dotted line rectangle on the graphical representation (**Fig.9**).

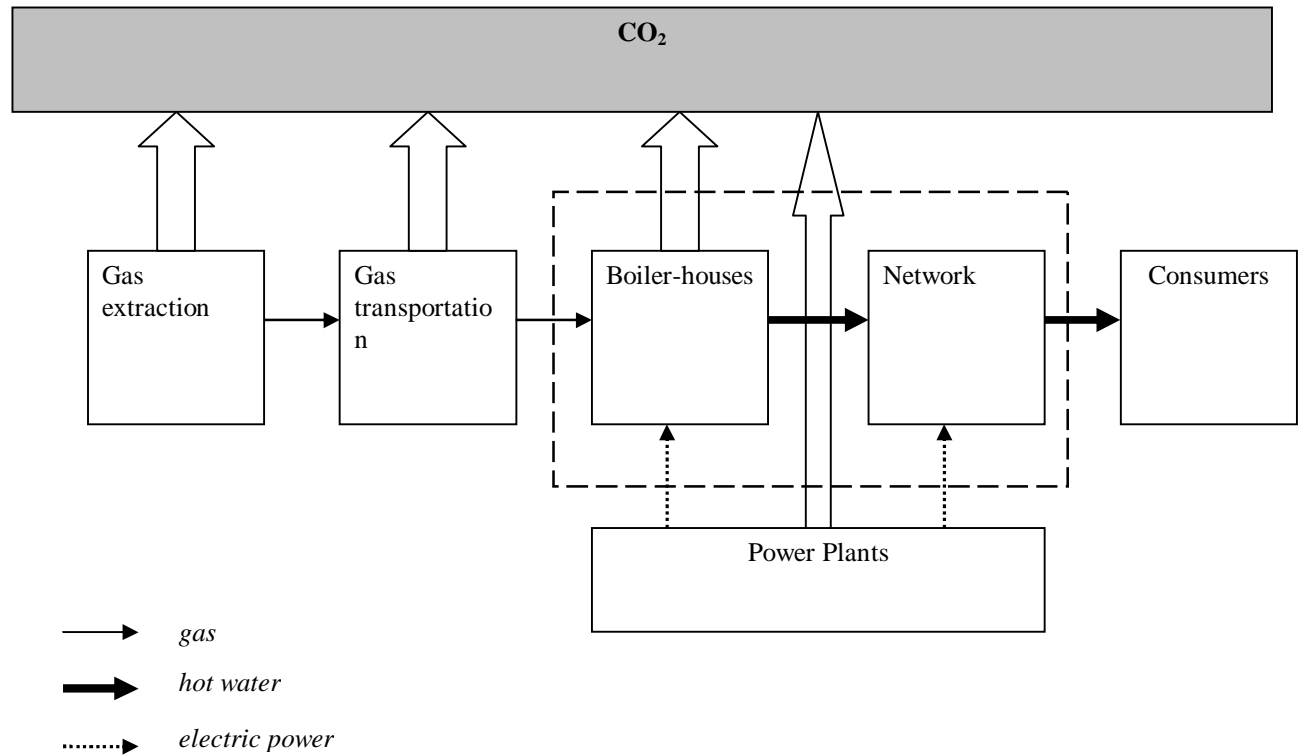


Fig.9. Boundaries for Baseline scenario

Project boundaries for **Project scenario** are represented by dotted line rectangle on the graphical representation (**Fig.10**).

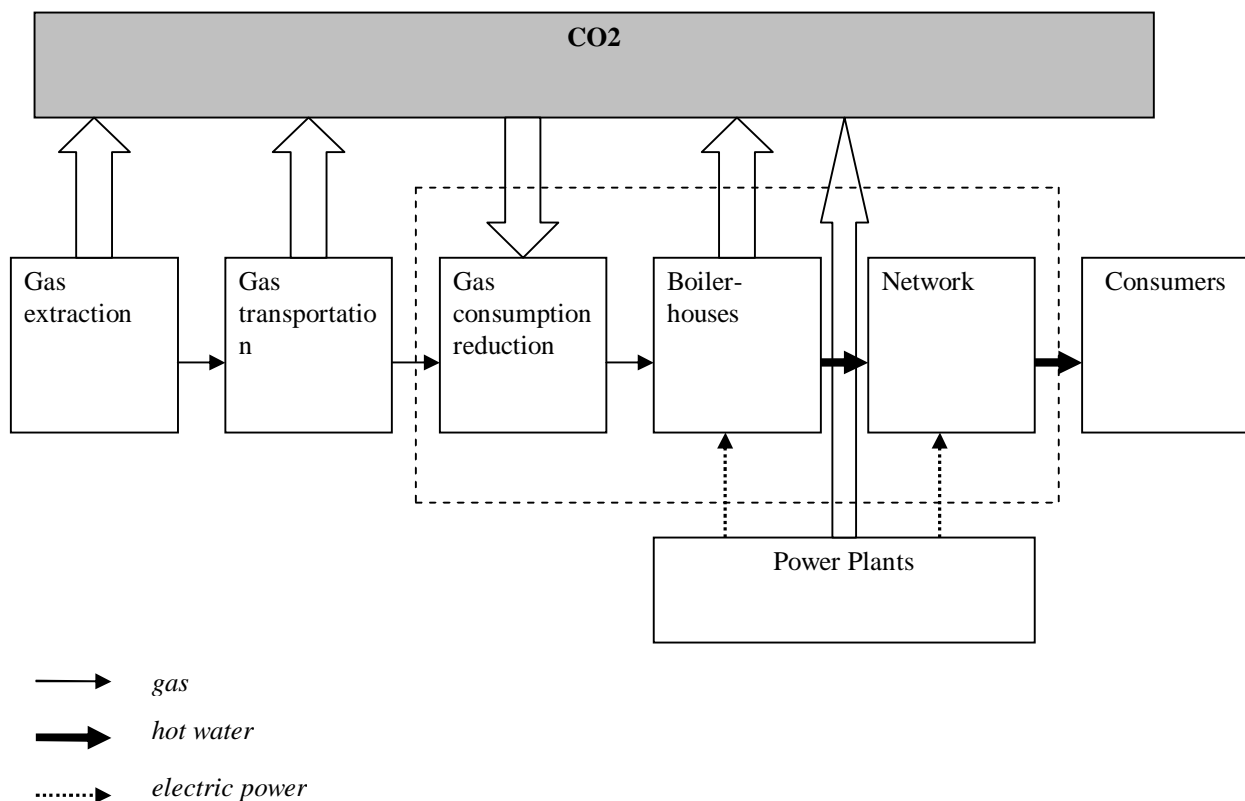


Fig.10. Project boundaries for Project scenario

Direct and Indirect Emissions

Direct on-site emissions: CO₂ from natural gas combustion in boilers. NO_x and CO emission from combustion in the existing boilers/ burners, additional CO₂ emissions from fuel combustion in boilers at the boiler houses due to the too large heat losses in the distribution networks.

CH₄ and N₂O emissions from fuel combustion are negligible minor sources, and are excluded from considerations for simplification.

Direct off-site emissions: CO₂ emissions from power stations due to electricity production to the grid, that consumed by boiler houses. CO₂ emissions from power stations due to electricity production to the grid, that consumed for heating of Dnipropetrovsk oblast customers. It takes place due to inefficiencies of heat supply service quality for many consumers in the current situation. Exploitation of power heaters is quite typical and widespread.

CO₂ emissions from power station(s) due to heat networks power consumption. It is not efficient due to water leakages, and extended networks' distance.

Indirect on-site emissions: none.

Indirect off-site emissions: CO₂ emissions from fuel extraction and transportation.



On-site emissions			
Current situation	Project	Direct or indirect	Include or exclude
CO ₂ emissions from fuel combustion in boilers	Reduced CO ₂ emissions from fuel combustion in boilers due to increased efficiency (fuel saving)	Direct	Include
NO _x and CO emission from combustion into existing boilers/ burners	Reduced NO _x and CO emissions from fuel combustion after boiler burners' replacement	Direct	Exclude. NO _x and CO are not GHGs.
CO ₂ emissions from fuel combustion in boilers at the boiler houses due to the too large heat losses in the networks	Reduced CO ₂ emissions from boiler houses due to decreasing of heat losses in the network pipes, due to replacement pipes with the pre-insulated ones, rehabilitation of HSS, and reduction of networks' length	Direct	Include
Off-site emissions			
Current situation	Project	Direct or indirect	Include or exclude
CO ₂ emissions from power plant(s) due to electricity production to the grid, that is consumed by boiler houses.	Reduced CO ₂ emissions from power plant(s) due to reduction of electricity consumption by boiler houses	Direct	Include
CO ₂ emissions from power plant(s) due to power consumption used for heating by Dnipropetrovsk region customers. It takes place due to inefficiencies of heat supply service quality for many consumers in the current situation. Exploitation of electric heaters is quite typical and widespread.	Reduced CO ₂ emissions from power plant(s) due to reduction of power consumption for heating by Dnipropetrovsk region customers. This will take place after project implementation when heat supply service will become more efficient. Exploitation of electric heaters will decrease substantially.	Direct	Exclude, not under control of project developer
CO ₂ emissions from fuel extraction and transportation.	Reduced CO ₂ emissions from fuel extraction and transportation.	Indirect	Exclude, not under control of project developer

Table 11. Project boundaries

**B.4. Further baseline information, including the date of baseline setting and the name(s) of the person(s)/entity(ies) setting the baseline:**

Date of baseline setting: 01/12/2003.

The baseline is determined by the Institute of Engineering Ecology (IEE), the project developer, RME “Dniproteploenergo”, project partner, and OJSC “Oblteplocomunenergo”, project participant and project supplier.

IEE:

Institute of Engineering Ecology
Kiev, Ukraine.
Dmytro Paderno,
Deputy director, PhD.
Phone: +38 044 453 28 62
Fax: +38 044 456 92 62
e-mail: engeco@kw.ua

RME “Dniproteploenergo”:

Dnipropetrovsk, Ukraine.
Valeriy Derevianko,
General director.
Phone: +38 0562 47 02 13
Fax: +38 0562 47 02 13
e-mail: okp_teplo@ukrpost.ua

OJSC “Oblteplocomunenergo”:

Chernihiv, Ukraine.
Yuriy Barbarov,
Head of the Board.
Phone: +38 0462 77 43 24
Fax: +38 0462 77 43 24
e-mail: post.otke@mail.ru

**SECTION C. Duration of the project / crediting period****C.1. Starting date of the project:**

The starting date of the project is: 20/06/2002.

This date 20.06.2002 was accepted as the project's starting date because at this date the agreement was signed between the RME "Dniproteploenergo" and the Institute of Engineering Ecology on preparation of basic data for application for project on CO₂ Emissions Reduction due to fuel saving by system of the RME "Dniproteploenergo" (#476 dated 20.06.2002).

C.2. Expected operational lifetime of the project:

The minimal nominal lifetime of the new boilers is 20 years. The real average lifetime of the new boiler and network equipment is estimated to be up to 30 – 40 years, therefore the expected operational lifetime of the project may be about 30 years. For further calculations the end of the operational lifetime for the project is assumed equal to 18 years, or 216 months, since implementation of the last project activity (31.12.2012).

Thus, the expected operational lifetime of the project is 28 years (336 months), from 01.01.2003 till 31.12.2030.

C.3. Length of the crediting period:

Earning of the ERUs corresponds to the commitment period of 5 years (January 1, 2008 – December 31, 2012).

The starting date of the crediting period is set to the date where the first emission reduction units are expected to be generated from the project, that is January 1, 2003. The end of the crediting period is the end of the lifetime of the main equipment that is minimal December 31, 2030. Thus the length of the crediting period is 28 years (336 months).

**SECTION D. Monitoring plan**

For the district heating enterprises RME “Dniproteploenergo” including 9 daughter enterprises: DE “Novomoskovskteploenergo”, DE “Petrykivkateploenergo”, DE “Vasykivkateploenergo”, DE “Pokrovkateploenergo”, DE “Pyatyhatkyteploenergo”, DE “Verhnedniprovskteploenergo”, DE “Sofiivkateploenergo”, DE “Pereschepynoteploenergo”, DE “Soloneteploenergo”; and ME “Dniprodzerzhinskteploomezha”, NME “Nikopolteploenergo”, ME “Pavlogradteploenergo”, OCME “Ordzhonikidzeteploenergo”, monitoring of the project activity was executed according to the monitoring plan below, for the periods 01.01.2003-31.12.2007; 01.01.2008-31.12.2008; 01.01.2009-31.12.2009; 01.01.2010-31.12.2010.

These Monitoring Reports were verified by Bureau Veritas Certification Holding SAS, and corresponding Verification Reports were issued (Verification Reports #UKRAINE-ver/0183/2010 dated 08/04/2011; #UKRAINE-ver/0220/2011 dated 08/04/2011; #UKRAINE-ver/0221/2011 dated 08/04/2011; #UKRAINE-ver/0222/2011 dated 08/04/2011).

Transaction of ERUs in total amount 137597 ths t CO₂e (53642 ths t CO₂e for 2008, 55116 ths t CO₂e for 2009 and 28839 ths t CO₂e for 2010) was carried out in April, 2011.

For the periods 01.01.2003-31.12.2007; 01.01.2008-31.12.2008; 01.01.2009-31.12.2009 and 01.01.2010-31.12.2010, monitoring of the project activity will be executed for the district heating enterprises ME “Teploenergo” of Dnipropetrovsk City Council, CME “Dnipropetrovski miski teplovi merezhi” and MEHSN “Kryvorizhteploomezha”. In the corresponding Monitoring Reports information on only these 3 district heating enterprises will be provided.

For the next periods from 01.01.2011, monitoring of the project activity will be executed for all 17 district heating enterprises of the Dnipropetrovsk region included into the project.

D.1. Description of monitoring plan chosen:**D.1.1. Option 1 – Monitoring of the emissions in the project scenario and the baseline scenario:****Indicator of project performance**

The most objective and cumulative factor that will give a clear picture of whether emission reductions really took place – is *fuel saving*. It can be identified as a difference between baseline fuel consumption and fuel consumption after project implementation. If boilers consume fuel at a projected level than all other relevant indicators such as efficiencies of new boilers, efficiencies of heat utilizers, and burners, as well as heat losses in pre-insulated pipes are adequate.

**Monitoring of project performance indicators**

District heating enterprises that implement the project collect data on fuel bought for heating in form of fuel bills. Information on saved fuel will be attached to verification reports on a yearly basis (before April 1st for all years of project implementation) with all relevant documentation and historical information on fuel purchasing transactions made by Supplier.

Monitoring of Emission Reduction Units and Baseline Scenario

The project specific approach developed for monitoring of the “District Heating” projects in Ukrainian conditions consists in the following:

For any project year, the baseline scenario may be different due to the influence of external factors such as weather conditions, possible changes of the Net Calorific value of fuel(s), number of customers, heating area, etc. The Baseline and the amount of ERUs for each project year should be corrected with taking into account these and some other factors.

The following specific project approach is proposed to be used.

Amount of the Emission Reduction Units (ERUs), t CO₂e:

$$ERUs = \sum [E_{(i)}^b - E_{(i)}^r] \quad (D.1.1-1)$$

where:

$E_{(i)}^b$ and $E_{(i)}^r$ - GHG emissions for an (i) boiler-house in the reported year for the dynamic baseline and project scenarios, respectively, t CO₂e.

The sum is taken over all boiler-houses (i) which are included into the project.

$$E_{(i)}^b = E_{1(i)}^b + E_{gen(i)}^b + E_{cons(i)}^b, \quad (D.1.1-2)$$

$$E_{(i)}^r = E_{1(i)}^r + E_{gen(i)}^r + E_{cons(i)}^r, \quad (D.1.1-3)$$

where:

$E_{1(i)}^b$ and $E_{1(i)}^r$ – emissions due to fuel consumption for heating and hot water supply service for an (i) boiler-house in the base year and in the reported year, respectively, t CO₂e;

$E_{gen(i)}^b$ and $E_{gen(i)}^r$ – emissions due to electricity generation associated to the project for an (i) boiler-house in the base year (consumed from grid, amount to be substituted in the reported year), and generated by included into the project objects in the reported year, respectively, t CO₂e;

$E_{cons(i)}^b$ and $E_{cons(i)}^r$ – emissions due to electricity generation to the state grid in amount consumed by an (i) boiler-house with the related heat supply stations in the base year and in the reported year, respectively, t CO₂e.



For each (i) boiler-house:

$$E_1^b = NCV_b * Cef_b * B_b \quad (D.1.1-4)$$

$$E_1^r = NCV_r * Cef_r * B_r \quad (D.1.1-5)$$

$$E_{gen}^b = W_b * CEF_c + Q_b * f_b * NCV_r * Cef \quad (D.1.1-6)$$

$$E_{gen}^r = (W_b - W_r) * CEF_g + [(Q_b - Q_r) * f_b + B_g] * NCV_r * Cef \quad (D.1.1-7)$$

$$E_{cons}^b = P_b * CEF_c \quad (D.1.1-8)$$

$$E_{cons}^r = P_r * CEF_c \quad (D.1.1-9)$$

where:

NCV – Net Calorific value of a fuel, GJ/ ths m³ (GJ/t);

Cef – Carbon emission factor for a fuel, t CO₂/GJ;

B – amount of a fuel consumed by a boiler-house, ths m³ or t;

W_b – scheduled electricity production by the new CHP units at a boiler-house, MWh;

W_r – electricity production by the installed CHP units, MWh;

CEF_g – Carbon emission factor for the Ukrainian grid, tCO₂e/MWh;

P_b – electricity consumption in the base year by a boiler-house where energy saving measures are scheduled to be implemented, MWh;

P_r – electricity consumption in the reported year by a boiler-house where energy saving measures are implemented, MWh;

CEF_c – Carbon emission factor for JI projects on reducing electricity consumption in Ukraine, tCO₂e/MWh;

Q_b – scheduled heat energy production by the new CHP units at a boiler-house, MWh;

Q_r – heat energy production by the installed CHP units at a boiler-house in reported year, MWh;

f_b – specific natural gas consumption by a boiler-house, where CHP units are scheduled to be installed, ths m³/MWh;

B_g – amount of fuel (gas) consumed by the installed CHP units for heat and electricity generation, ths m³;

[_b] index – related to the base year;

[_r] index – related to the reported year.

If any boiler-house consumes more than one type of fuel, the calculations of E are to be made for each type of fuel separately, and results are to be summed.

According to the Dynamic Baseline assumption, the efficient value of E₁^b may be defined as follows:



$$E_{1(i)}^b = E_{h(i)}^b + E_{w(i)}^b; \quad (D.1.1-10)$$

where the first term describes emissions from fuel consumption for heating, and the second one – from fuel consumption for hot water supply service.

For the case when in the base year the hot water supply service was provided (independent of this service duration, $(1-a_b) \neq 0$), the formulae for E_1^b is:

$$E_1^b = NCV_b * Cef_b * [B_b * a_b * K_1 * K_h + B_b * (1-a_b) * K_1 * K_w], \quad (D.1.1-11)$$

where the first term in brackets describes fuel consumption for heating, and the second one – fuel consumption for hot water supply service.

For the case when in the base year the hot water supply service was absent at all ($(1-a_b) = 0$), and in the reported year this service was provided (due to improvement of heat supply service quality for population), the formulae for E_1^b is:

$$E_1^b = NCV_b * Cef_b * [B_b * a_b * K_1 * K_h + B_r * (1-a_r) * K_1 * K_{w0}] \quad (D.1.1-12)$$

$$E_1^r = NCV_r * Cef_r * B_r \quad (D.1.1-13)$$

where:

NCV – Net Calorific value of a fuel, GJ/ ths m³ (GJ/t);

Cef – Carbon emission factor for a fuel, t CO₂/GJ;

B – amount of a fuel consumed by a boiler-house, ths m³ or tonnes per year;

K₁, K_h, K_w, K_{w0} – adjustment factors;

a – portion of fuel (heat), consumed for heating purposes;

(1-a) – portion of fuel (heat), consumed for hot water supply services;

[_b] index – related to the base year;

[_r] index – related to the reported year.

$$a_b = L_h^b * g^b * N_h^b / (L_h^b * g^b * N_h^b + L_w^b * N_w^b); \quad (D.1.1-14)$$

$$a_r = L_h^r * g^r * N_h^r / (L_h^r * g^r * N_h^r + L_w^r * N_w^r), \quad (D.1.1-15)$$

where:

L_h, L_w – maximum connected load to the boiler-house, that is required for heating and for hot water supply service, MW;

g – recalculating factor for average load during heating period for a boiler-house;

N_h, N_w – duration of heating period and period of hot water supply service per year, hours.



[h] index – related to heating;

[w] index – related to hot water supply.

$$g = Q_{av}/Q_{max} = F_h * k_h * (T_{in} - T_{out av}) / F_h * k_h * (T_{in} - T_{out min}) = (T_{in} - T_{out av}) / (T_{in} - T_{out min}) \quad (D.1.1-16)$$

where:

F_h – heated area of buildings, m^2 ;

k_h – average heat transfer factor of heated buildings, $kW/m^2 * K$;

T_{in} – average inside temperature for the heating period, K (or $^{\circ}C$);

$T_{out av}$ – average outside temperature for the heating period, K (or $^{\circ}C$);

$T_{out min}$ – minimal outside temperature for the heating period, K (or $^{\circ}C$).

Adjustment factors:

1. K_1 (Net calorific value of a fuel change factor):

$$K_1 = NCV_b / NCV_r \quad (D.1.1-17)$$

2. Adjustment factors for heating should be used for creation the Dynamic Baseline which takes into account changes of the external factors such as weather conditions, heated area, etc.

Fuel consumption for heating is proportional to the required amount of heat during heating period, Q_h :

$$B_h = B * a = Q_h / NCV * \eta_h, \quad (D.1.1-18)$$

where

Q_h - required amount of heat during heating period,

η_h – overall heating system efficiency.

According to the assumption of the Dynamic Baseline, the required amount of heat in the base year for correct comparison should be reduced to real conditions (external to the project) in the reported year:

$$Q_{h br} = Q_{h b} * K_h = Q_{h r} \quad (D.1.1-19)$$



where:

$Q_{h\ br}$ – required heat for Dynamic Baseline, is assumed equal to Q_r – required heat in the reported year,

$Q_{h\ b}$ – required heat in the base year,

K_h – averaged adjustment factor for heating.

This averaged adjustment factor may be determined from the equation:

$$K_h = Q_{h\ r} / Q_{h\ b} \quad (D.1.1-20)$$

Required amount of heat for heating of buildings during a year, according to the “Norms and instructions on rationing of fuel and heat energy for heating of residential and public buildings, as well as for communal and domestic needs in Ukraine “KTM 204 Ukraine 244-94”¹², is determined by [ibid, equation 2.17]:

$$Q_h = F_h * k_h * (T_{in} - T_{out}) * N_h, \quad (D.1.1-21)$$

where:

Q_h – required amount of heat for heating, kWh;

F_h – heated area of buildings, m²;

k_h – average heat transfer factor of buildings, kW/m²*K;

T_{in} – average inside temperature for the heating period, K (or °C);

T_{out} – average outside temperature for the heating period, K (or °C);

N_h – duration of the heating period per year, hours.

Then:

$$K_h = (F_{h\ r} * k_{h\ r}) * (T_{in\ r} - T_{out\ r}) * N_{h\ r} / F_{h\ b} * k_{h\ b} * (T_{in\ b} - T_{out\ b}) * N_{h\ b} \quad (D.1.1-22)$$

The components of K_h :

2.1. K_2 (Temperature change factor):

¹² Norms and instructions on rationing of fuel and heat energy for heating of residential and public buildings, as well as for communal and domestic needs in Ukraine. KTM 204 Ukraine 244-94. Kyiv, 2001, 376 p.



$$K_2 = (T_{in r} - T_{out r}) / (T_{in b} - T_{out b}). \quad (D.1.1-23)$$

2.2. K_3 (Heated area and building thermal insulation change factor):

$$K_3 = (F_{hr} * k_{hr}) / F_{hb} * k_{hb} = [(F_{hr} - F_{htr} - F_{hnr}) * k_{hb} + (F_{hnr} + F_{htr}) * k_{hn}] / F_{hb} * k_{hb}, \quad (D.1.1-24)$$

where:

F_{hb} – heated area of buildings in the base year, m^2 ;

F_{hr} – heated area of buildings in the reported year, m^2 ;

F_{hnr} – heated area of new buildings connected to DH system (assumed with the new (improved) thermal insulation) in the reported year, m^2 ;

F_{htr} – heated area of buildings (previously existed in the base year) in reported year with the renewed (improved) thermal insulation, m^2 ;

k_{hb} – average heat transfer factor of heated buildings in the base year, $kW/m^2 * K$;

k_{hr} – average heat transfer factor of heated buildings in the reported year, $kW/m^2 * K$;

k_{hn} – heat transfer factor of heated buildings with the new thermal insulation (new buildings or old ones with improved thermal insulation), $kW/m^2 * K$.

2.3. K_4 (Heating period duration change factor):

$$K_4 = N_{hr} / N_{hb} \quad (D.1.1-25)$$

where:

N_{hb} – duration of the heating period in the base year, hours;

N_{hr} – duration of the heating period in the reported year, hours.

Thus,

$$K_h = K_2 * K_3 * K_4 \quad (D.1.1-26)$$

3. Adjustment factors for hot water supply service should be used for creation the Dynamic Baseline which takes into account changes of the external factors such as weather conditions, number of customers, etc.:

Amount of fuel consumed hot water supply service is proportional to the required amount of heat for the period of such service rendering, Q_w :

$$B_w = B * (1-a) = Q_w / NCV * \eta_w, \quad (D.1.1-27)$$

where



Q_w - required amount of heat during the service rendered period;
 η_w - overall efficiency of the hot water supply system.

According to the assumption of the Dynamic Baseline, the required amount of heat for hot water supply service in the base year for correct comparison should be reduced to real conditions (external to the project) in the reported year:

$$Q_{wbr} = Q_{wb} * K_w = Q_{wr} \quad (D.1.1-28)$$

where:

Q_{wbr} – required amount of heat for hot water supply service for Dynamic Baseline, is assumed equal to Q_{wr} – required amount of heat for hot water supply service in the reported year,

Q_{wb} – required amount of heat for hot water supply service in the base year,

K_w – averaged adjustment factor for hot water supply service.

This averaged adjustment factor may be determined from the equation:

$$K_w = Q_{wr} / Q_{wb}. \quad (D.1.1-29)$$

The components of K_w may be illustrated by correlation of heat used for hot water supply service in the base and reported years:

$$Q_w = n_w * v_w * N_w, \quad (D.1.1-30)$$

where:

Q_w – required amount of heat for hot water supply service, kWh;

n_w – average number of service's customers, personal accounts;

v_w – standard specific discharge of hot water per personal account (in heat units, kWh/h);

N_w – duration of the service period per year, hours.

Then:

$$K_w = n_{wr} * v_{wr} * N_{wr} / n_{wb} * v_{wb} * N_{wb} \quad (D.1.1-31)$$

where;

n_{wr} and n_{wb} – number of consumers in the reported year and the base year, respectively;

v_{wr} and v_{wb} - standard specific discharge of hot water per personal account (in heat units, kWh/h) in the reported year and the base year, respectively;

N_{wr} and N_{wb} – duration of the service period per year, in the reported year and the base year, respectively, hours.



3.1. K_5 (Number of of hot water supply service customers change factor):

$$K_5 = n_{wr} / n_{wb} \quad (D.1.1-32)$$

3.2. K_6 (Standard specific hot water discharge per personal account change factor):

$$K_6 = v_{wr} / v_{wb} \quad (D.1.1-33)$$

At present the standard specific discharge of hot water is valid in Ukraine that was established by the “KTM 204 Ukraine 244-94”, and no information is available on any proposals to change it, thus $K_6 = 1$ and does not require special monitoring.

3.3. K_7 (Hot water supply service period duration change factor):

$$K_7 = N_{wr} / N_{wb} \quad (D.1.1-34)$$

Thus,

$$K_w = K_5 * K_6 * K_7. \quad (D.1.1-35)$$

3.4. Adjustment factors for hot water supply service in case when there was no hot water supply service in the base year, and in the reported year this service was provided:

In case when there was no hot water supply service in the base year, number of customers, standard specific discharge of hot water per personal account and duration of hot water supply period in the base year are assumed to be equal to these values in the reported year,

$$K_5 = K_6 = K_7 = 1. \quad (D.1.1-36)$$

Thus

$$K_{w0} = 1. \quad (D.1.1-37)$$



The tables of parameters included in the process of monitoring and verification for ERUs calculation, are represented in the Sections **D.1.1.1** and **D.1.1.3**. Every year the table with foregoing factors will be updated with account for possible change of these factors, and the dynamic baseline will be developed as well as the amount of ERUs will be calculated.

If expected monitored data for the boiler-house in any project year are unavailable:

- for statistic data unavailable the default values from IPCC reports will be taken;
- for non-statistic data unavailable, the calculations for this boiler-house in this year will not be made, in according to conservative approach the estimated emission reductions for this boiler-house in this year will be assumed equal to 0.

D.1.1.1. Data to be collected in order to monitor emissions from the project, and how these data will be archived:								
ID number (Please use numbers to ease cross-referencing to D.2.)	Data variable	Source of data	Data unit	Measured (m), calculated (c), estimated (e)	Recording frequency	Proportion of data to be monitored	How will the data be archived? (electronic/ paper)	Comment
1	Fuel consumption at boiler houses (B_r):	Every boiler house				100%	Registered in the journal (paper (initial) and electronic (later))	The main data for calculation the GHG emissions in the reported year
1.1	Natural gas		ths. m ³	m	Every day	100%		
1.2	Coal		ton	m	Every day	100%		
2	Electricity consumption (P_r)	Boiler houses and heat supply stations	MWh	m	Every month	100%	Registered in the journal (paper and/or electronic)	
3	Average annual Calorific Value calculated by Net	Fuel Supplier's Report or Chem. Lab Analysis		m, c	Once per month	100%	Registered in the journal (paper (initial)	



	Calorific Value (NCV _r)	Report					and electronic (later))	
3.1	Natural gas		MJ/m ³	c				
3.2	Coal		MJ/kg	c				
4	Carbon emission factor (Cef _r , CEF _c)	Normative documents			Once per year	100%	Special Reports (paper and/or electronic)	
4.1	Natural Gas		kt CO ₂ /TJ					
4.2	Coal		kt CO ₂ /TJ					
4.3	Reducing electricity consumption		t CO ₂ /MWh					

All the data above are monitored throughout the crediting period.

In case of failure of measurement equipment, it should be replaced or repaired as soon as possible. Such cases should be noted in monitoring reports.

**D.1.1.2. Description of formulae used to estimate project emissions (for each gas, source etc.; emissions in units of CO₂ equivalent):**

$$E_i^r = E_{li}^r + E_{cons\ i}^r; \quad (D.1.1.2-1)$$

where:

E_{li}^r – emissions due to fuel consumption for heating and hot water supply service for an i boiler-house in the reported year, t CO₂e;

$E_{cons\ i}^r$ – emissions due to electricity consumption from greed by the i boiler-house in the reported year, t CO₂e.

$$E_{li}^r = NCV_{r(i)} * Cef_r * B_{ri}, \quad (D.1.1.2-2)$$

where:

$NCV_{r(i)}$ – average annual net calorific value of (i) fuel, GJ/ ths m³ (GJ/t)

Cef – carbon emission factor of (i) fuel, tCO₂/GJ;

$B_{r(i)}$ – amount of fuel consumed by a boiler-house in the reported year, ths m³ (t).

$$E_{cons\ i}^r = P_r * CEF_c; \quad (D.1.1.2-3)$$

where:

P_r – electricity consumption by the boiler-houses and central heat supply stations with energy saving measures implemented in the reported year, MWh;

CEF_c – Carbon Emission factors for reducing electricity consumption in Ukraine, tCO₂e/MWh;

[r] index – related to the reported year.



D.1.1.3. Relevant data necessary for determining the <u>baseline</u> of anthropogenic emissions of greenhouse gases by sources within the <u>project boundary</u>, and how such data will be collected and archived:								
ID number (Please use numbers to ease cross-referencing to D.2.)	Data variable	Source of data	Data unit	Measured (m), calculated (c), estimated (e)	Recording frequency	Proportion of data to be monitored	How will the data be archived? (electronic/ paper)	Comment
1	Fuel consumption at boiler houses (B ^b)	Every boiler-house			Every day	100%	Registered in the journal (paper (initial) and electronic (later))	The main data for calculation the GHG emissions in the reported year
1.1	Natural Gas		ths. m ³	m				
1.2	Coal		ton	m				
2	Electricity consumption (P _b)	Boiler houses and heat supply stations	MWh	m	Every month	100%	Registered in the journal (paper (initial) and electronic (later))	
3	Average annual Calorific Value of a fuel calculated by Net Calorific Value (NCV _b and NCV _r)	Fuel Supplier's Report or Chemical Analysis Lab		m, c	Once per month	100%	Registered in the journal (paper (initial) and electronic (later))	
3.1	Natural Gas		MJ/m ³	c				
3.2	Coal		MJ/kg	c				



4	Carbon emission factor (Cef_b , Cef_r and $CEFe$)	Normative documents			Once per year	100%	Special Reports (paper and/or electronic)	
4.1	Natural Gas		kt CO ₂ /TJ					
4.2	Coal		kt CO ₂ /TJ					
4.3	Reducing electricity consumption		t CO ₂ /MWh					
5	Average outside temperature during the heating period ($T_{out,r}$ and $T_{out,b}$)	Meteorological Service	⁰ C (K)	m, c	Once per heating period. Daily temperature is registered every day	100%	Registered in the journal (paper and/or electronic)	Auxiliary data which allows adjusting of the dynamic baseline
6	Average inside temperature during the heating period ($T_{in,r}$ and $T_{in,b}$)	Each district heating enterprise	⁰ C (K)	m, c	Once per heating period	100%	Registered in the journal (paper and/or electronic)	Auxiliary data which allows adjusting of the dynamic baseline
7	Number of customers of hot water supply service (n_r and n_b)	Each district heating enterprise		Statistics	Once per year	100%	Special Reports (paper and/or electronic)	Auxiliary data which allows adjusting of the dynamic baseline



8	Heated area (F_b and F_r)	Each district heating enterprise	m^2	Statistics	Once per year	100%	Special Reports (paper and/or electronic)	Auxiliary data which allows adjusting of the dynamic baseline
9	Average heat transfer factor of heated buildings in the base year (k_{hb})	Each district heating enterprise. Normative documents	$W/m^2 \cdot K$	Statistics	Once per year		Special Reports (paper and/or electronic)	Auxiliary data which allows adjusting of the dynamic baseline
10	Heated area of buildings (previously existed in the base year) with the renewed (improved) thermal insulation in the reported year (F_{htr})	Each district heating enterprise	m^2	Statistics	Once per year	100%	Special Reports (paper and/or electronic)	Auxiliary data which allows adjusting of the dynamic baseline
11	Heated area of newly connected buildings (assumed with the new (improved) thermal insulation) in the reported year (F_{hnr})	Each district heating enterprise	m^2	Statistics	Once per year	100%	Special Reports (paper and/or electronic)	Auxiliary data which allows adjusting of the dynamic baseline



12	Heat transfer factor of buildings with new thermal insulation (k_i)	Each district heating enterprise, Normative documents	$W/m^2 \cdot K$	Statistics	Once per year	100%	Special Reports (paper and/or electronic)	Auxiliary data which allows adjusting of the dynamic baseline
13	Heating period duration (N_r and N_b)	Each district heating enterprise	Hours	Statistics	Once per year	100%	Special Reports (paper and/or electronic)	Auxiliary data which allows adjusting of the dynamic baseline
14	Duration of period of hot water supply service (N_w)	Each district heating enterprise	Hours	Statistics	Once per year	100%	Special Reports (paper and/or electronic)	Auxiliary data which allows adjusting of the dynamic baseline
15	Maximum connected load to the boiler-house, that is required for heating (L_h^b and L_h^r)	Each district heating enterprise	Gcal/h	c	Once per year	100%	Special Reports (paper and/or electronic)	Auxiliary data which allows adjusting of the dynamic baseline
16	Connected load to the boiler-house, that is required for hot water supply service (L_w^b and L_w^r)	Each district heating enterprise	Gcal/h	c	Once per year	100%	Special Reports (paper and/or electronic)	Auxiliary data which allows adjusting of the dynamic baseline



17	Standard specific discharge of hot water per personal account (v_{wr} and v_{wb})	Each district heating enterprise	kWh/h	Normative documents	Once per year	100%	Special Reports (paper and/or electronic)	Auxiliary data which allows adjusting of the dynamic baseline
----	--	----------------------------------	-------	---------------------	---------------	------	---	---

For the base year (2002) all parameters (with [b] index) presented above excluding parameters 10-12 are not monitored throughout the crediting period, are determined only once after the end of the base year and thus remain fixed throughout the crediting period. These data are available already at the stage of determination.

For any reported year (2003-2012) all parameters (with [r] index) presented above excluding parameters 1, 2, 9 are monitored throughout the crediting period.

**D.1.1.4. Description of formulae used to estimate baseline emissions (for each gas, source etc.; emissions in units of CO₂ equivalent):**

$$E_{(i)}^b = E_{1(i)}^b + E_{\text{cons}(i)}^b; \quad (\text{D.1.1.4-1})$$

where:

$E_{(i)}^b$ – baseline emissions (dynamic for a reported year), t CO₂e;

$E_{1(i)}^b$ – emissions due to fuel consumption for heating and hot water supply service for an (i) boiler-house in the base year in terms of a reported year, t CO₂e;

$E_{\text{cons}(i)}^b$ – emissions due to electric power consumption by an (i) boiler-house and heat supply stations related to the (i) boiler-house in the base year in terms of a reported year, t CO₂e.

For the case when in the base year the hot water supply service was provided (independent of this service duration, $(1-a_b) \neq 0$), the formulae for E_1^b is:

$$E_1^b = \text{NCV}_b * \text{Cef}_b * [B_b * a_b * K_1 * K_h + B_b * (1-a_b) * K_1 * K_w], \quad (\text{D.1.1.4-2})$$

where the first term in brackets describes fuel consumption for heating, and the second one – fuel consumption for hot water supply.

For the case when in the base year the hot water supply service was absent at all ($(1-a_b) = 0$), and in the reported year this service was provided (due to improvement of heat supply service quality for population), the formulae for E_1^b is:

$$E_1^b = \text{NCV}_b * \text{Cef}_b * [B_b * a_b * K_1 * K_h + B_r * (1-a_r) * K_1 * K_{w0}]. \quad (\text{D.1.1.4-3})$$

where:

NCV_b – average annual net calorific value of fuel in the base year, GJ/ ths m³ (GJ/t);

Cef – carbon emission factor of fuel, tCO₂/GJ;

B_b – amount of fuel consumed by a boiler-house in the base year, ths m³ or tons;

$K_1, K_h = K_2 * K_3 * K_4; K_w = K_5 * K_6 * K_7$ – adjustment factors;

a_b – portion of fuel (heat), consumed for heating purposes in the base year;

$(1-a_b)$ – portion of fuel (heat), consumed for hot water supply services in the base year;

a_r – portion of fuel (heat), consumed for heating purposes in the reported year.

$$a_b = L_h^b * g^b * N_h^b / (L_h^b * g^b * N_h^b + L_w^b * N_w^b); \quad (\text{D.1.1.4-4})$$

where:

L_h^b – maximum connected load required for heating in the base year, MW;



L_w^b – connected load required for hot water supply service in the base year, MW;
 g – recalculating factor for average load during heating period;
 N_h^b – duration of heating period in the base year, hours;
 N_w^b – duration of hot water supply service in the base year, hours.

$$a_r = \frac{L_h^r * g^r * N_h^r}{(L_h^r * g^r * N_h^r + L_w^r * N_w^r)} \quad (D.1.1.4-5)$$

where:

L_h^r – maximum connected load required for heating in the reported year, MW;
 L_w^r – connected load required for hot water supply service in the reported year, MW;
 g – recalculating factor for average load during heating period;
 N_h^r – duration of heating period in the reported year, hours,
 N_w^r – duration of hot water supply service in the reported year, hours.

$$g = \frac{Q_{av}}{Q_{max}} = \frac{F_h * k_h * (T_{in} - T_{out av})}{F_h * k_h * (T_{in} - T_{out min})} = \frac{(T_{in} - T_{out av})}{(T_{in} - T_{out min})} \quad (D.1.1.4-6)$$

where:

F_h – heated area of buildings, m²;
 k_h – average heat transfer factor of heated buildings, kW/m²*K;
 T_{in} – average inside temperature for the heating period, K (or °C);
 $T_{out av}$ – average outside temperature for the heating period, K (or °C);
 $T_{out min}$ – minimal outside temperature for the heating period, K (or °C).

$$K_1 = \frac{NCV_b}{NCV_r}; \quad (D.1.1.4-7)$$

where:

NCV_b – average annual net calorific value of fuel in the base year, GJ/ ths m³ (GJ/t);
 NCV_r – average annual net calorific value of fuel in the reported year, GJ/ ths m³ (GJ/t).

$$K_2 = \frac{(T_{in r} - T_{out r})}{(T_{in b} - T_{out b})}; \quad (D.1.1.4-8)$$

where:

$T_{in r}$ – average inside temperature for the heating period in the reported year, K (or °C);



$T_{in b}$ – average inside temperature for the heating period in the base year, K (or $^{\circ}C$);

$T_{out r}$ – average outside temperature for the heating period in the reported year, K (or $^{\circ}C$);

$T_{out b}$ – average outside temperature for the heating period in the reported year, K (or $^{\circ}C$)

$$K_3 = [(F_{hr} - F_{htr} - F_{hnr}) * k_{hb} + (F_{hnr} + F_{htr}) * k_{hn}] / F_{hb} * k_{hb}; \quad (D.1.1.4-9)$$

where:

F_{hb} – heated area in the base year, m^2 ;

F_{hr} – heated area in the reported year, m^2 ;

F_{hnr} – heated area of new buildings connected to DH system (assumed with the new (improved) thermal insulation) in the reported year, m^2 ;

F_{htr} – heated area of buildings (previously existed in the base year) in reported year with the renewed (improved) thermal insulation, m^2 ;

k_{hb} – average heat transfer factor of heated buildings in the base year, $kW/m^2 * K$;

k_{hn} – heat transfer factor of heated buildings with the new thermal insulation (new buildings or old ones with improved thermal insulation), $kW/m^2 * K$.

$$K_4 = N_{hr} / N_{hb}; \quad (D.1.1.4-10)$$

where:

N_{hb} – duration of heating period in the base year, hours

N_{hr} – duration of heating period in the reported year, hours

$$K_5 = n_{wr} / n_{wb}; \quad (D.1.1.4-11)$$

where:

n_{wb} – number of the hot water supply service customers in the base year;

n_{wr} – number of the hot water supply service customers in the reported year

At the MEHSN “Kryvorizhtplomerezha”, statistics on the number of the hot water supply service customers is provided only for inhabitants and not for other consumers, thus adjustment factor K_5 for boiler-houses of this enterprise is to be calculated as the ratio of connected loads for the hot water supply service in the reported and in the base years, which correctly reflects the change in the number of the hot water supply service customers:

$$K_5' = L_w^r / L_w^b \quad (D.1.1.4-11')$$

$$K_6 = v_{wr} / v_{wb}; \quad (D.1.1.4-12)$$



where:

v_{wr} – standard specific discharge of hot water per personal account in the reported year, (in heat units, kWh/h);

v_{wb} – standard specific discharge of hot water per personal account in the base year, (in heat units, kWh/h).

$$K_7 = N_{wr} / N_{wb}; \quad (D.1.1.4-13)$$

where:

N_{wr} – duration of hot water supply service in the reported year, hours.

N_{wb} – duration of hot water supply service in the base year, hours.

$$E_{cons}^b = P_b * CEF_c; \quad (D.1.1.4-14)$$

where:

P_b – electric power consumption by the boiler-houses and heat supply stations, MWh;

CEF_c – Carbon Emission factors for projects on reducing electricity consumption in Ukraine, tCO₂e/MWh;

[_b] index – related to the base year;

[_r] index – related to the reported year.

The Specific project approach for “District Heating” projects in Ukrainian conditions was developed for application in different regions of Ukraine. In some regions the consumers receive less than necessary amount of heat, in result of which the temperature inside the buildings is much lower than normative one (18⁰C), and hot water supply is insufficient or absent. Therefore this Methodology allows to take into account improving of the heat supply quality for the consumers and excludes deliberate reduction of heat delivery, and, in such a way, of fuel consumption with the purpose of increasing of generation of GHG emissions reduction units (ERUs) at the project activity.

Delivery of the less than necessary amount of heat and hot water really took place previously in a number of cities and regions in Ukraine (and takes place even now in some cities and regions where situation business-as-usual is continued), and is reflected for example in JI Projects “Rehabilitation of the District Heating System in Donetsk Region”, “Rehabilitation of the District Heating System of Chernihiv Region”, etc.

According to “Rules of rendering of heat and hot water supply service to population” № 1497 dated 30.12.1997, the heat supply enterprises must make the return payments to population for delivery less than necessary for providing normative heating level amount of heat. The normative inside temperature should be not lower



than 18 °C.

Amount of such return payment is the following:

- 5% from normative payment for every degree from 18 to 12 °C;
- 10% from normative payment for every degree from 12 to 5 °C;
- when inside temperature is lower than 5 °C, the payment is to be returned completely.

Average inside temperature during the heating period is calculated from the sum of returned payments caused by insufficient heating (in case of normative level (18 °C) is not satisfied).

Above 18 °C – is treated as 18 °C (according to the conservative approach) and as meeting the normative.

Below 18 °C – is treated as not meeting the normative, and is calculated as below.

The average inside temperature is calculated by formulae:

(D.1.1.4-15)

If $R = 0$ (according to conservative approach, $R < 0.05$ is assumed for the baseline):

$T_{in b} = 18$ °C.

If $0.05 < R \leq 0.3$:

$T_{in b} = 18 - (R/0.05)$ [°C]

If $0.3 < R < 1$:

$T_{in b} = 12 - [(R - 0.3)/0.1]$ [°C]

where:

R - part of returned payment of NP;

NP – amount of normative payment.

Thus if the inside temperature will be 18 °C or higher, it will be accepted as 18 °C according to conservative approach, and if it will be lower than 18 °C it will be calculated from return payments by the methodology presented above.



D. 1.2. Option 2 – Direct monitoring of emission reductions from the project (values should be consistent with those in section E.):

D.1.2.1. Data to be collected in order to monitor emission reductions from the <u>project</u>, and how these data will be archived:								
ID number <i>(Please use numbers to ease cross-referencing to D.2.)</i>	Data variable	Source of data	Data unit	Measured (m), calculated (c), estimated (e)	Recording frequency	Proportion of data to be monitored	How will the data be archived? (electronic/ paper)	Comment

This section is left blank for purpose. Option 1 is chosen.

D.1.2.2. Description of formulae used to calculate emission reductions from the project (for each gas, source etc.; emissions/emission reductions in units of CO₂ equivalent):

This section is left blank for purpose. Option 1 is chosen.



D.1.3. Treatment of leakage in the monitoring plan:

No leakage is expected. Dynamic baseline (based on collected monitoring data) will exclude all possible leakages.

D.1.3.1. If applicable, please describe the data and information that will be collected in order to monitor leakage effects of the project:

ID number <i>(Please use numbers to ease cross-referencing to D.2.)</i>	Data variable	Source of data	Data unit	Measured (m), calculated (c), estimated (e)	Recording frequency	Proportion of data to be monitored	How will the data be archived? (electronic/ paper)	Comment

Any occasional leakage emissions (for example, caused by pipes' leakages, etc.) should be eliminated as soon as possible.

D.1.3.2. Description of formulae used to estimate leakage (for each gas, source etc.; emissions in units of CO₂ equivalent):

No leakages are expected.

**D.1.4. Description of formulae used to estimate emission reductions for the project (for each gas, source etc.; emissions/emission reductions in units of CO₂ equivalent):**

Formulae presented in sections D.1.1. - D.1.3. will be used for monitoring of the emissions in the project scenario and the baseline scenario. They will be used in Monitoring report. The baseline is dynamic and depends on conditions of every reporting year. Therefore we can't use these formulae in PDD to estimate emission reductions because we have no data (whether conditions, net calorific value of fuels, etc.) for any reporting year yet.

Formulae presented in this section D.1.4. are used to estimate emission reductions in PDD. Results of the corresponding calculations made with using of these formulae are listed in **Appendices 1, 2**. These calculations are based on equipment efficiency increasing.

Every Appendix contains calculations of GHG emission reductions that correspond to specified technology used in the JI project.

Appendix 1 - Boilers.

Replacement of old operating boilers with low efficiency by the new highly efficient ones, replacement of obsolete coal-fired boilers by the new gas-fired boilers, re-equipment of boiler-houses and heat supply stations.

Appendix 2 – Network rehabilitation at RME “Dniproteploenergo”, DE “Novomoskovskteploenergo”; DE “Petrykivkateploenergo”; DE “Vasylkivkateploenergo”; DE “Pokrovkateploenergo”; DE “Pyatyhatkyteploenergo”; DE “Verhnedniprovskeploenergo”; DE “Sofiivkateploenergo”; DE “Pereschepynoteploenergo”; DE “Soloneteploenergo” and ME “Dniprodzerzhinskteploenergo”; NME “Nikopolteploenergo”; ME “Pavlogradteploenergo”; OCME “Ordzhonikidzeteploenergo”.

Appendix 3 - Network rehabilitation at ME “Teploenergo”

Appendix 4 - Network rehabilitation at CME “Dnipropetrovski miski teplovi merezhi”

Appendix 5 - Network rehabilitation at MEHSN “Kryvorizhteploenergo”

Replacement of the main and distribution network pipes with diameter 25 mm - 1020 mm by the pre-insulated ones.

Appendix 6 - Contains total sums of emission reductions, reductions of fuel and power energy consumption for every year for each technology.

Appendix 7 - Contains calculations of baseline emissions and project emissions as well as GHG emissions reduction for every project year, based on formulae presented in section D.1.4.

Appendices 6 and 7 contain links with **Appendices 1 - 5**.



GHG emission reductions from the project are estimated by means of the following formulae:

$$ERUs = E_b - E_r \quad (D.1.4-1)$$

where:

ERUs – emission reduction units, t CO₂e;

E_r – project emissions, t CO₂e;

E_b – baseline emissions, t CO₂e.

Baseline emissions

Baseline emissions consist of two types of GHG emissions:

- 1) GHG emissions from boilers which are operated by systems of a heat supply in Dnipropetrovsk region;
- 2) GHG emissions from current power consumption from the state grid which will be reduced due to implementation of energy saving measures at boiler-houses.

$$E_b = E1_b + E2_b \quad (D.1.4-2)$$

Where:

E1_b – emissions from heat generation sources operated by systems of heat supply of Dnipropetrovsk region, t CO₂e;

E2_b – emissions due to electricity production to the grid, that consumed by boiler houses and heat supply stations, t CO₂e.

- 1) Emissions from heat generation sources operated by systems of heat supply of Dnipropetrovsk region :

$$E1_b = \sum (B_{b(i)}) * NCV_{b(i)} * Cef_i, \quad (D.1.4-3)$$

where:

B_{b(i)} – fuel consumption in the baseline scenario (for each fuel), ths. m³ (t);

NCV_{b(i)} – Net calorific value for each fuel, GJ/ths m³ (GJ/t);

Cef_i – Carbon Emission Factors for each fuel, t CO₂/GJ.



For more detailed information see **Appendix 1**.

2) Emissions due to electricity production to the grid, that consumed by boiler houses and heat supply stations .

$$E2_b = P_b * CEF_c, \quad (D.1.4-4)$$

where:

P_b – annual power consumption of boiler houses and heat supply stations, MWh;

CEF_c – Carbon Emission factor for reducing electricity consumption, tCO₂e/MWh.

For more detailed information see **Appendix 1**.

Project emissions

There are two kinds of emissions which are included in the project scenario:

- 1) GHG emissions from boilers which are operated by systems of Dnipropetrovsk region;
- 2) GHG emissions from the power consumption from the state grid in the reported year which will be reduced due to implementation of energy saving measures at boiler-houses and installation of cogeneration units for power generation for own needs of boiler-houses.

$$E_r = E1_r + E2_r \quad (D.1.4-5)$$

Where:

$E1_r$ – emissions from heat generation sources operated by systems of heat supply of Dnipropetrovsk region, t CO₂e;

$E2_r$ – emissions due to electricity production to the grid, that consumed by boiler houses and heat supply stations, t CO₂e;

Project scenario emissions from boiler-houses are a sum of actual fuel amounts to be used in any reported year (starting from 2003) multiplied by corresponding conversion factors. Actual – means with subtracted fuel saving due to improving of the boiler-houses and network efficiency, reconstruction and liquidation of heat supply stations.

- 1) Emissions from heat generation sources operated by systems of heat supply of Dnipropetrovsk region



$$E1_r = \sum ([B_{r(i)} - V_{(i)}] * NCV_{(i)} * Cef_i) ; \quad (D.1.4-6)$$

where:

$B_{r(i)}$ – fuel consumption by boiler-houses in the project scenario (for each fuel), ths m³ (t);

$V_{(i)}$ – fuel saving due to network rehabilitation for each fuel, ths m³ (t);

$NCV_{(i)}$ – Net calorific value for each fuel, GJ/ ths m³ (GJ/t);

Cef_i – Carbon Emission Factor for each fuel, t CO₂/GJ.

$$B_{r(i)} = [B_{b(i)} * NCV_{b(i)} * BBE_i] / [NCV_{r(i)} * PBE_i], \quad (D.1.4-7)$$

where:

BBE_i - operational efficiency of boiler-house system according to the specific fuel consumption in the baseline scenario, %;

PBE_i - operational efficiency of boiler-house system according to the specific fuel consumption in the project scenario, %.

$$V_{(i)} = B_{b(i)} - B_{b(i)} * (100 - L_b) / (100 - L_r), \quad (D.1.4-8)$$

where:

$B_{b(i)}$ – fuel consumption in the baseline scenario (for each fuel), ths m³ (t);

L_b – heat losses in the network in the baseline scenario, %;

L_r – heat losses in the network in the project scenario, %.

2) Emissions due to electricity production to the grid, that consumed by boiler houses and heat supply stations:

$$E2_r = (P_b - P_r) * CEF_c \quad (D.1.4-9)$$

where:

P_b – annual electricity consumption of boiler houses in the base year, MWh;

CEF_c – Carbon Emission factors for reducing electricity consumption, tCO₂e/MWh;

P_r – calculated electricity saving due to re-equipment of boiler-houses and heat supply stations, MWh.

For more detailed information see **Appendix 1**.



D.1.5. Where applicable, in accordance with procedures as required by the host Party, information on the collection and archiving of information on the environmental impacts of the project:

According to the common Ukrainian practice for such type projects, the environmental impact of the project will be estimated by fuel consumption and combustion.

- Law of Ukraine # 1264-XII “On environmental protection” dated 25.06.1991;
- Law of Ukraine # 2707-XII “On atmospheric air protection” dated 16.10.1992;
- Actual rules on emissions limitation: “Norms of limit admissible emissions of pollution agents from stationary sources” – adopted by Ministry for Environmental Protection of Ukraine on 27.06.2006, #309 and registered by Ministry of Justice of Ukraine on 01.09.2006, #912/12786.



D.2. Quality control (QC) and quality assurance (QA) procedures undertaken for data monitored:		
Data (Indicate table and ID number)	Uncertainty level of data (high/medium/low)	Explain QA/QC procedures planned for these data, or why such procedures are not necessary.
1.1. Amount of natural gas consumed by boiler houses. 1.2. Amount of coal consumed by boiler houses.	Low for gas. Medium for coal	Measuring instruments must be calibrated according to national regulations
2. Amount of electric power consumed by boiler houses.	Low	Measuring instruments must be calibrated according to national regulations
3. Fuel quality (Net Calorific Values).	Low	Even though there is no need to mistrust fuel suppliers, the Supplier will periodically check the data provided by fuel suppliers through performing chemical analyzes of supplied fuel (usually once per heating period).
4. Carbon emission factors for fuels	Low	Normative documents data. No quality assurance is needed.
5. Carbon emission factor for electricity consumption	Low	Normative documents data. No quality assurance is needed.
6. Average outside temperature during the heating period	Low	Is calculated from the daily outside temperature data obtained from the local Meteorological Centre every day of heating period. No quality assurance is needed.
7. Average inside temperature during the heating period	Low	Calculated from the sum of returned payments caused by insufficient heating (in case of normative level is not satisfied). No quality assurance is needed.



8. Number of customers of hot water supply service	Low	Statistic data. No quality assurance is needed.
9. Heating area	Low	Statistic data. No quality assurance is needed.
10. Average heat transfer factor of heated buildings	Low	Normative documents data. No quality assurance is needed.
11. Heating area of buildings (previously existed in the base year) with the renewed (improved) thermal insulation	Low	Statistic data. No quality assurance is needed.
12. Heating area of newly connected buildings (assumed with the new (improved) thermal insulation)	Low	Statistic data. No quality assurance is needed.
13. Heat transfer factor of buildings with new thermal insulation	Low	Normative documents data. No quality assurance is needed.
14. Heating period duration	Low	Statistic data. No quality assurance is needed.
15. Duration of period of hot water supply service	Low	Statistic data. No quality assurance is needed.



16. Connected load to the boiler-house for heating	Low	Calculated data (data are calculated taking into account connected heated area by methodology of normative documents). No quality assurance is needed.
17. Connected load to the boiler-house for hot water supply service.	Low	Calculated data (data are calculated taking into account connected number of customers of hot water supply service by methodology of normative documents). No quality assurance is needed.
18. Standard specific discharge of hot water per personal account	Low	Normative documents data. No quality assurance is needed.

D.3. Please describe the operational and management structure that the project operator will apply in implementing the monitoring plan:

The scheme identifying the responsibilities and the authority regarding the monitoring activities for the parameters to be monitored are presented in Annex 3.

**D.4. Name of person(s)/entity(ies) establishing the monitoring plan:**

The monitoring plan is determined by the Institute of Engineering Ecology (IEE), project developer and project partner, RME “Dniproteploenergo”, project partner, and OJSC “Oblteplocomunenergo”, project participant and project supplier.

IEE:

Institute of Engineering Ecology

Kiev, Ukraine.

Dmytro Paderno,

Deputy director, PhD.

Phone: (+38 044) 453 28 62

Fax: (+38 044) 456 92 62

e-mail: engeco@kw.ua

RME “Dniproteploenergo”:

Dnipropetrovsk, Ukraine.

Valeriy Derevianko,

General director.

Phone: (+38 0562) 47 02 13

Fax: (+38 0562) 47 02 13

e-mail: okp_teplo@ukrpost.ua

OJSC “Oblteplocomunenergo”:

Chernihiv, Ukraine.

Yuriy Barbarov,

Head of the Board.

Phone: (+38 0462) 77 43 24

Fax: (+38 0462) 77 43 24

e-mail: post.otke@mail.ru

**SECTION E. Estimation of greenhouse gas emission reductions****E.1. Estimated project emissions:**

Project Carbon Emission Factors are assumed equal to the Baseline Carbon Emission Factors.

Calculation of Project Activity Level

Project's activity level, estimated by fuel consumption, will be reduced comparing to the baseline activity level due to fuel saving. Project energy resources consumption is presented in the Table 12.

District heating enterprise that implement the project (project partner)	Project natural gas consumption, ths Nm ³ /yr	Project coal consumption, t/yr	Project power consumption by boiler houses and heat supply stations, MWh
RME "Dniproteploenergo"	7792	0	2943
DE RME "Dniproteploenergo" "Pyatyhatkyteploenergo"	2021	0	435
ME «Pavlogradteploenergo»	28915	0	10202
DE RME "Dniproteploenergo" "Pokrovkateploenergo"	1718	0	323
DE RME "Dniproteploenergo" "Sofiivkateploenergo"	831	0	196
DE RME "Dniproteploenergo" - "Vasykivkateploenergo"	2843	0	626
DE RME "Dniproteploenergo" "Pereschepynoteploenergo"	980	0	189
DE RME "Dniproteploenergo" "Verhnedniprovschteploenergo"	4286	0	887
NME "Nikopolteploenergo"	20559	0	5311
DE RME "Dniproteploenergo" "Soloneteploenergo"	1109	0	186
DE RME "Dniproteploenergo" "Petrykivkateploenergo"	1152	0	257
OCME "Ordzhonikidzeteploenergo"	9238	0	6009
DE RME "Dniproteploenergo" "Novomoskovskteploenergo"	10792	0	3266
ME "Dniprodzerzhinskteplomerezha"	23206	0	6133
ME "Teploenergo"	46207	0	10187
CME "Dnipropetrovski miski teplovi merezhi"	151696	0	80476
MEHSN "Kryvorizhtepplomerezha"	149530	0	50000

Table 12. Project energy resources consumption



Detailed information is presented in **Appendixes 1 - 5**.

Estimation of Direct Project Emissions

There are two kinds of emissions which are included in the project scenario:

- 1) Emissions from heat generation sources operated by systems of heat supply of Dnipropetrovsk region (E1r);
- 2) Emissions due to electricity production to the grid, that is consumed by boiler houses and heat supply stations (E2r).

Project Emissions after project implementation (from 2013) are shown in Table 13.

Project emissions		Project emissions, t CO ₂ e
Emissions from heat generation sources operated by systems of heat supply of Dnipropetrovsk region	E1r	911054
Emissions due to electricity production to the grid, that is consumed by boiler houses and heat supply stations	E2r	219600
Total	Er	1130654

Table 13. Project Emissions after project implementation

See **Appendix 7**.

Project emissions after project implementation will be ~ **1130654** t CO₂e

In the PDD calculations, according to the conservative approach, only the minimal guaranteed effects from all energy saving measures were taken into account.

Project emissions from the beginning until the end of the crediting period for each year see in **section E.6** and **Appendix 7 (Baseline)**.

E.2. Estimated leakage:

No leakage is expected in proposed project activity.

E.3. The sum of E.1. and E.2.:

Project Emissions + Leakages = **1130654** + 0 = **1130654** t CO₂e.

**E.4. Estimated baseline emissions:****Baseline emissions estimation**

Baseline emissions consist of two types of GHG emissions:

- 1) Emissions from heat generation sources operated by systems of heat supply of cities of Dnipropetrovsk region (E1b);
- 2) Emissions due to electricity production to the grid, that is consumed by boiler houses and heat supply stations (E2b).

Baseline emissions by the sources of GHG emission are presented in the Table 14.

Baseline emissions by the sources of GHG emission		Baseline emissions, t CO ₂ e
Emissions from heat generation sources operated by systems of heat supply of cities of Dnipropetrovsk region	E1b	1501328
Emissions due to electricity production to the grid, that is consumed by boiler houses and heat supply stations	E2b	234952
Total	Eb	1736280

Table 14. Baseline Emissions

Baseline emissions are ~ **1736280** t CO₂e.

The following conservative assumption is used to calculate baseline and project GHG emissions:

Average inside temperature during the heating period that is above the normative level (18 °C) is treated as 18⁰C (according to the conservative approach) and as meeting the normative.

More detailed calculation of resulting annual Baseline Carbon Emissions, that would take place during typical heating period if DH systems of district heating enterprises that implement the project remain unchanged, see in **section B** and **Appendix 7 (Baseline)**.

Baseline emissions for each year from the beginning until the end of the crediting period see in **section E.6** and **Appendix 7 (Baseline)**.

**E.5. Difference between E.4. and E.3. representing the emission reductions of the project:**

Project Emission Reduction = Baseline emission - (Project emission + Estimated leakage) =
1736280- 1130654 = 605626 t CO₂e / yr.

In course of the project implementation, the different emission reduction will be achieved at the different stages of project implementation. The amounts of emission reduction are represented in **Tables 3-6** Paragraph **A.4.3.1**.

Emission Reductions by the types of project activity are presented in the Table 15.

Year	GHG emission reductions, t CO ₂ e			
	E1r		E2r	Er
	Due to boiler houses rehabilitation	Due to network rehabilitation	Due to power saving	Total
2003	13330	1543	13	14886
2004	39799	49150	13	88962
2005	121148	84581	596	206324
2006	132048	114523	1098	247668
2007	152425	158959	3135	314519
2008	166117	215629	5343	387089
2009	170979	246797	6664	424439
2010	174036	292161	6599	472796
2011	183250	343500	6734	533483
2012	193347	396927	15352	605626
Total	1346478	1903769	45545	3295792

Table 15. Estimated amount of Emission Reductions by the types of project activity



Emission Reductions by the enterprises that implement the project after project implementation (from 2013) are presented in the Table 16.

District heating enterprise that implement the project (project partner)	GHG emissions reduction, t CO ₂ e
RME "Dniproteploenergo"	3553
DE RME "Dniproteploenergo" "Pyatyhatkyteploenergo"	449
ME «Pavlogradteploenergo»	30977
DE RME "Dniproteploenergo" "Pokrovkateploenergo"	742
DE RME "Dniproteploenergo" "Sofiivkateploenergo"	398
DE RME "Dniproteploenergo" -"Vasylkivkateploenergo"	458
DE RME "Dniproteploenergo" "Pereschepynoteploenergo"	770
DE RME "Dniproteploenergo" "Verhnedniprovschteploenergo"	1043
Nikopol municipal enterprise "Nikopolteploenergo"	4331
DE RME "Dniproteploenergo""Soloneteploenergo"	566
DE RME "Dniproteploenergo" "Petrykivkateploenergo"	729
OCME "Ordzhonikidzeteploenergo"	6164
DE RME "Dniproteploenergo" "Novomoskovskteploenergo"	4005
ME "Dniprodzerzhinskteplomerezha"	13735
ME "Teploenergo"	21812
CME "Dnipropetrovski miski teplovi merezhi"	346632
MEHSN "Kryvorizhtepplomerezha"	169262
Total	605626

Table 16. Estimated amount of Emission Reductions by the enterprises that implement the project

For more details see **Appendixes 1 - 5**.

**E.6. Table providing values obtained when applying formulae above:**

Year	Estimated project emissions (tonnes of CO ₂ equivalent)	Estimated leakage (tonnes of CO ₂ equivalent)	Estimated baseline emissions (tonnes of CO ₂ equivalent)	Estimated emission reduction (tonnes of CO ₂ equivalent)
2003	1665672	0	1680558	14886
2004	1587766	0	1676728	88962
2005	1466574	0	1672898	206324
2006	1425230	0	1672898	247668
2007	1358379	0	1672898	314519
Subtotal 2003 - 2007	7503621	0	8375980	872359
2008	1347659	0	1734748	387089
2009	1313756	0	1738195	424439
2010	1263101	0	1735897	472796
2011	1202797	0	1736280	533483
2012	1130654	0	1736280	605626
Subtotal 2008 - 2012	6257967	0	8681400	2423433
2013	1130654	0	1736280	605626
2014	1130654	0	1736280	605626
2015	1130654	0	1736280	605626
2016	1130654	0	1736280	605626
2017	1130654	0	1736280	605626
2018	1130654	0	1736280	605626
2019	1130654	0	1736280	605626
2020	1130654	0	1736280	605626
2021	1130654	0	1736280	605626
2022	1130654	0	1736280	605626
2023	1130654	0	1736280	605626
2024	1130654	0	1736280	605626
2025	1130654	0	1736280	605626
2026	1130654	0	1736280	605626
2027	1130654	0	1736280	605626
2028	1130654	0	1736280	605626
2029	1130654	0	1736280	605626
2030	1130654	0	1736280	605626
Subtotal 2013 - 2030	20351772	0	31253040	10901268
Total (tonnes of CO₂ equivalent)	34113360	0	48310420	14197060

Table 17. Table providing values obtained when applying formulae above

**SECTION F. Environmental impacts****F.1. Documentation on the analysis of the environmental impacts of the project, including transboundary impacts, in accordance with procedures as determined by the host Party:**

According to the Ukrainian regulations, design documentation for the new building, reconstruction and technical re-equipment of industrial and civil objects must include the environmental impact assessment, the main requirements for which are listed in the State Building Norms of Ukraine DBN A.2.2-1-2003 “Composition and content of the Environmental Impact Assessment (EIA) materials at designing and construction of enterprises, buildings and premises”¹³.

District heating enterprises that implement the project have the necessary Environmental Impact Assessments for their activity according to Ukrainian legislation.

Overall, the project “Rehabilitation of District Heating Systems in Dnipropetrovsk Region” will have a positive effect on environment. Following points will give detailed information on environmental benefits.

1. Project implementation will allow saving about 304 million Nm³ of natural gas, 708 t of coal and 12.5 GWh electricity per year after project complete implementation. Natural gas and coal are non-renewable resources and their saving is important.

2. Project implementation will reduce direct CO₂ emissions from city and regional boilers about 605.626 thousand tons per year after project complete implementation due to increased boilers efficiencies, achieved through installation of up-to-date boiler equipment, particularly new boilers, heat utilizers and new boiler burners, and installation of pre-insulated network pipes instead of existing regular network pipes.

3. Due to fuel saving and the new environmentally friendlier technologies of fuel combustion, project implementation will reduce emissions of SO_x, NO_x, CO and particulate matter (co-products of combustion).

4. It is expected that due to a better DH service Dnipropetrovsk region population will reduce electricity consumption from electric heaters thus reducing power plants emissions of CO₂, SO_x, NO_x, CO and particulate matter.

District heating enterprises that implement the project do necessary Environmental Impact Assessments for reconstruction objects which require EIA as special section of project of reconstruction.

The transboundary effects are not considered (no effect can be deduced). Emissions are mainly localised not far from the source sites.

The transboundary effects may appear only in the case of maximum permissible emissions (MPE) of contaminant to atmosphere exceeding. There were no MPE exceeding fixed at the district heating enterprises that implement the project.

¹³ <http://www.budinfo.com.ua/dbn/8.htm>



F.2. If environmental impacts are considered significant by the project participants or the host Party, please provide conclusions and all references to supporting documentation of an environmental impact assessment undertaken in accordance with the procedures as required by the host Party:

Impact on the water medium

Impact on the water medium is present. Impact on water resources is will be the same as in baseline scenario. The existing technology of heat energy production exploited at the objects of district heating enterprises that implement the project foresee discharging of waste water to the sewage network with obligatory chemical control in accordance to Water Code of Ukraine, GOST 28.74-82 “Hygienic regulations and quality control”, SNiP 4630-92 on determining maximum concentration limits for internal water bodies. Discharge of wastewater to the open water bodies will not take place.

Project implementation will have positive environmental effect. It will allow to decrease the water consumption and as a result – to decrease the amount of waste water.

Effects on the medium air

The project implementation will have positive effect on air medium:

- 1) Reduction of NO_x, SO_x, CO and PM due to application of cleaner technologies at boiler houses;
- 2) Reduction of electricity consumption results in lower emissions of the same air pollutants;
- 3) Heat stress on the atmosphere (due to lower temperatures of flue gases);
- 4) Lower emissions per unit of fuel at the same load on boiler house.

Effects on land use

Impact on the land medium is not present.

Relevant regulation is the sphere of land use is presented by the Land Code of Ukraine. National technological practice/standard: GOST 17.4.1.02.-83 “Protection of Nature, Soils. Classification of chemical substances for pollution control”.

Effects on biodiversity

Impact on biodiversity is not present.

Waste generation, treatment and disposal

Waste generation, treatment and disposal are present. In the process of project implementation the generation of waste will occur after disassembling of physically and morally obsolete equipment, burners, pipes, etc. Also there will occur some construction waste due to destruction of boiler settling, boiler house foundations etc.

Possible recycling of the old equipment will by definition have a positive effect on the environment.

According to the “Law on waste products”, (article 17) “Obligations of economical activity subjects in sphere of waste treatment”

- enterprises must apply statistic reports on waste creating, gathering, transporting keeping, treating, utilizing, decontaminating and excreting.



- provide complete gathering, appropriate keeping and non-admission waste destruction and spoilage, for utilization of which there is an appropriate technology in Ukraine.

Reasoning from aforesaid district heating enterprises that implement the project deliver old equipment to metal recycling.

SECTION G. Stakeholders' comments

G.1. Information on stakeholders' comments on the project, as appropriate:

According to the Ukrainian legislation, Employer of projects of new building, reconstruction and technical re-equipment of industrial and civil objects that may have negative influence on environment during implementation (building, exploitation etc.), must to ensure transparency and to consider public opinion on planned or ongoing activities. The respective announcements were made in the media^{14,15}, comments haven't been received.

The authorities of Dnipropetrovsk region have expressed their support for the project.

Project "Rehabilitation of District Heating Systems in Dnipropetrovsk Region" was presented at the XV (Sevastopol, June 13-16, 2005) and XVI (Sevastopol, June 6-10, 2006) Conferences of CIS with international participants, as well as at XX International Conference "Problems of Ecology and Exploitation of Energy Objects" (Yalta, June 8-12, 2010), where it was comprehensively discussed with representatives of governmental and district heating organizations.

¹⁴ «Vidomosti» dated 29.10.03 Dniprodzerzhinsk city, p.14

¹⁵ «Dilovi vidomosti» dated 19.09.07 Dniprodzerzhinsk city, p.1

Annex 1**CONTACT INFORMATION ON PROJECT PARTICIPANTS****Supplier:**

Organisation:	Joint Stock Company "Oblteplocmunenergo
Street/P.O.Box:	Komsomolska str
Building:	55b
City:	Chernihiv
State/Region:	Chernihiv Region (Oblast)
Postal code:	14000
Country:	Ukraine
Phone:	+38 0462 77 43 24
Fax:	+38 0462 77 43 24
E-mail:	post.otke@mail.ru , otke@teplo.cn.ua
URL:	
Represented by:	
Title:	Head of the Board
Salutation:	Mr.
Last name:	Barbarov
Middle name:	Anatolievich
First name:	Yuriy
Department:	
Phone (direct):	+38 0462 77 43 24
Fax (direct):	+38 0462 77 43 24
Mobile:	
Personal e-mail:	post.otke@mail.ru , otke@teplo.cn.ua

**Partner –Buyer**

Organisation:	VEMA SA
Street/P.O.Box:	Route de Thonon
Building:	45
City:	Geneva
State/Region:	Vesenaz
Postal code:	CH-1222
Country:	Switzerland
Phone:	+41 22 735 3744
Fax:	
E-mail:	info@vemacarbon.com
URL:	
Represented by:	
Title:	Director
Salutation:	Mr.
Last name:	Knodel
Middle name:	
First name:	Fabian
Department:	
Phone (direct):	
Fax (direct):	
Mobile:	
Personal e-mail:	



Annex 2

BASELINE INFORMATION

The main Baseline information is listed in **Section B**. In this Annex 2 some detailed are represented.

Information on the power grid Baseline situation:

Ukraine has the united state power grid, therefore the averaged values for Carbon Emission factors (CEF) for electricity production in Ukraine should be used for the project calculations.

The following CEF values at the combined approach base are used in calculations:

Year	CEF _c tCO ₂ e/MWh	Source of data
2002	0.956	Table B2 "Baseline carbon emission factors for JI projects reducing electricity consumption" of Operational Guidelines for PDD's of JI projects. Volume 1: General guidelines Version 2.3. Ministry of Economic Affairs of the Netherlands, 2004 (ERUPT 4, Senter, the Netherlands) ¹⁶
2003	0.936	
2004	0.916	
2005	0.896	
2006	0.896	Table 8 "Emission Factors for the Ukrainian grid 2006-2012" of Annex 2 "Standardized Emission Factors for the Ukrainian Electricity Grid" to "Ukraine - Assessment of new calculation of CEF", confirmed by TUV SUD Industrie Service GmbH 17.08.2007 ¹⁷
2007	0.896	
2008	1.219	Order of the National Environmental Investment Agency of Ukraine # 62 dated 15.04.2011 ¹⁸ ;
2009	1.237	Order of the National Environmental Investment Agency of Ukraine # 63 dated 15.04.2011 ¹⁹ ;
2010	1.225	Order of the National Environmental Investment Agency of Ukraine # 43 dated 28.03.2011 ²⁰ ;
Since 2011	1.227	Order of the National Environmental Investment Agency of Ukraine # 75 dated 12.05.2011 ²¹ .

Table An2-1. The Carbon Emission factors (CEF) used for calculations in PDD

In course of development of the Monitoring reports for this project, the valid values for corresponding period will be used.

¹⁶ <http://ji.unfccc.int/CallForInputs/BaselineSettingMonitoring/ERUPT/GuidVoll.doc>

¹⁷ <http://ji.unfccc.int/UserManagement/FileStorage/46JW2KL36KM0GEMI0PHDTQF6DVI514>

¹⁸ <http://www.neia.gov.ua/nature/doccatalog/document?id=127171>

¹⁹ <http://www.neia.gov.ua/nature/doccatalog/document?id=127172>

²⁰ <http://www.neia.gov.ua/nature/doccatalog/document?id=126006>

²¹ <http://www.neia.gov.ua/nature/doccatalog/document?id=127498>



The key elements of the baseline (including variables, parameters and data sources) are presented in table below.

	Symbol	Data variable	Data unit	Measured (m), calculated (c), estimated (e)
1	B_b	Fuel consumption by boiler-houses (Natural gas/coal)		m
1.1	B _b (natural gas)	Natural gas consumption	ths.m ³	m
1.2	B _b (coal)	Coal consumption	t	m
2	P_b	Electric power consumption	MWh	m
3	NCV_b	Average annual Net Calorific Value		m, c
3.1	NCV _b (natural gas)	Average annual Net Calorific Value for natural gas	MJ/m ³	m, c
3.2	NCV _b (coal)	Average annual Net Calorific Value for coal	(MJ/kg)	m, c
4	Cef_b	Carbon emission factor	t CO ₂ /TJ	IPCC 1996 Guidelines for National Greenhouse Gas Inventories Vol.2 Energy ²²
4.1	Cef (natural gas)	Carbon emission factor for natural gas		
4.2	Cef (coal)	Carbon emission factor for coal		
4.3	CEFc	Carbon emission factor for electricity consumption	t CO ₂ / MWh	See Table An2-1

Table An2-2. The key elements of the baseline

²² <http://www.ipcc-nggip.iges.or.jp/public/gl/invs5a.html>

Annex 3MONITORING PLAN

This monitoring plan describes the project specific approach that will be used to calculate the ongoing amount of greenhouse gas emission reductions resulting from installation and commissioning of the JI project in Dnipropetrovsk Region. Upgrades to the district heating system are expected to result in improved system performance. Each component of the JI project is expected to result in a reduction in greenhouse gas emissions. The reduction in greenhouse gas emissions will be quantified using the specific project approach presented in this Monitoring Plan.

Relevant monitoring methodologies

In course of development of the project “**Rehabilitation of District Heating Systems in Dnipropetrovsk Region**”, the project specific approach for “District Heating” projects in Ukrainian conditions was used (see section B.1).

Monitoring project specific approach developed for “District Heating” projects in Ukrainian conditions

Monitoring project specific approach is presented in details in section D.1.1. of this PDD (Option 1 – Monitoring of the emissions in the project scenario and the baseline scenario).

Formulae for monitoring

Formulae used for computing project emissions, baseline emissions and the total emission reduction are presented in the tables below.

Total emission reduction

Formula 1 – Total emission reduction	
	$ERUs = \sum [E_{(i)}^b - E_{(i)}^r]$
	ERUs - total annual emission reduction, t CO ₂ e E _(i) ^b – dynamic baseline emissions, t CO ₂ e E _(i) ^r - emissions in the reported year, t CO ₂ e
	The sum is taken over all boiler-houses (i) which are included into the project

Project emissions

Formula 2 –Emissions in the reported year (E^r)	
	$E_{(i)}^r = E_{1(i)}^r + E_{cons (i)}^r$
	E _{1(i)} ^r –emissions due to fuel consumption for heating and hot water supply service by an (i) boiler-house in the reported year, t CO ₂ e; E _{cons (i)} ^r –emissions due to electricity generation to the state grid in amount consumed by an (i) boiler-house with the related heat supply stations in the reported year, t CO ₂ e.

Formula 3 –Emissions due to fuel consumption for heating and hot water supply service by an (i) boiler-house in the reported year, ($E_{1(i)}^r$)	
	$E_{1(i)}^r = NCV_r * Cef_r * B_{r(i)}$
	NCV _{r(i)} – average annual Net Calorific Value of a fuel, GJ/th _s m ³ (GJ/t); Cef – Carbon emission factor for a fuel, tCO ₂ /GJ; B _{r(i)} – amount of fuel consumed by a boiler-house in the reported year, th _s m ³ or tons

Formula 4 – Emissions due to electricity generation to the state grid in amount consumed by an (i) boiler-house in the reported year ($E_{cons(i)}^r$)	
	$E_{cons(i)}^r = P_r * CEF_c$
	P _r – electricity consumption in the reported year by a boiler-house, MWh; CEF _c – Carbon emission factor for JI projects on reducing electricity consumption in Ukraine, tCO ₂ e/MWh.

Baseline emissions

Formula 5 – Dynamic baseline emissions (E_b)	
	$E_{(i)}^b = E_{1(i)}^b + E_{cons(i)}^b$
	E _{1(i)} ^b – baseline emissions due to fuel consumption for heating and hot water supply service by an (i) boiler-house in the base year in terms of a reported year, t CO ₂ e; E _{cons(i)} ^b –emissions due to electricity generation to the state grid in amount consumed by an (i) boiler-house in the base year in terms of a reported year, t CO ₂ e.

Formula 6 – Baseline emissions due to fuel consumption for heating and hot water supply service by an (i) boiler-house in the base year in terms of a reported year, ($E_{1(i)}^b$)	
	For the case when in the base year the hot water supply service was provided (independent of this service duration, (1-a _b) ≠ 0): $E_1^b = NCV_b * Cef_b * [B_b * a_b * K_1 * K_h + B_b * (1-a_b) * K_1 * K_w]$, where the first term in brackets describes fuel consumption for heating, and the second one – fuel consumption for hot water supply service.
	For the case when in the base year the hot water supply service was absent at all ((1-a _b) = 0), and in the reported year this service was provided (due to improvement of heat supply service quality for population): $E_1^b = NCV_b * Cef_b * [B_b * a_b * K_1 * K_h + B_r * (1-a_r) * K_1 * K_{w0}]$.
	NCV _b – average Net Calorific Value of a fuel in the base year, GJ/th _s m ³ (GJ/t); Cef – Carbon emission factor for a fuel, tCO ₂ /GJ; B _b – amount of fuel consumed by a boiler-house in the base year, th _s m ³ or tons;



<p>$K_1, K_h = K_2 * K_3 * K_4$; $K_w = K_5 * K_6 * K_7$ – adjustment factors; a_b – portion of fuel (heat), consumed for heating purposes in the base year; $(1-a_b)$ – portion of fuel (heat), consumed for hot water supply services in the base year; a_r – portion of fuel (heat), consumed for heating purposes in the reported year.</p>

Formula 7 – Portion of fuel (heat), consumed for heating purposes in the base year (a_b)	
$a_b = L_h^b * g^b * N_h^b / (L_h^b * g^b * N_h^b + L_w^b * N_w^b);$	
<p>L_h^b – maximum connected load required for heating in the base year, MW; L_w^b – connected load required for hot water supply service in the base year, MW; g^b – recalculating factor for average load during heating period in the base year; N_h^b – duration of heating period in the base year, hours; N_w^b – duration of hot water supply service in the base year, hours.</p>	

Formula 8 – Portion of fuel (heat), consumed for heating purposes in the reported year (a_r)	
$a_r = L_h^r * g^r * N_h^r / (L_h^r * g^r * N_h^r + L_w^r * N_w^r)$	
<p>L_h^r – maximum connected load required for heating in the reported year, MW; L_w^r – connected load required for hot water supply service in the reported year, MW; g^r – recalculating factor for average load during heating period in the reported year; N_h^r – duration of heating period in the reported year, hours N_w^r – duration of hot water supply service in the reported year, hours.</p>	

Formula 9 – Recalculating factor for average load during heating period (g)	
$g = Q_{av} / Q_{max} = F_h * k_h * (T_{in} - T_{out av}) / F_h * k_h * (T_{in} - T_{out min}) = (T_{in} - T_{out av}) / (T_{in} - T_{out min})$	
<p>F_h – heated area of buildings, m^2; k_h – average heat transfer factor of heated buildings, $kW/m^2 * K$; T_{in} – average inside temperature for the heating period, $^{\circ}C$; $T_{out av}$ – average outside temperature for the heating period, $^{\circ}C$; $T_{out min}$ – minimal outside temperature for the heating period, $^{\circ}C$.</p>	

Formula 10 – Net calorific value of a fuel change factor (K_1)	
$K_1 = NCV_b / NCV_r$	



	<p>NCV_b – average Net Calorific Value in the base year, GJ/ths m³ (GJ/t); NCV_r – average Net Calorific Value in the reported year, GJ/ths m³ (GJ/t).</p>

Formula 11 – Temperature change factor (K₂)	
	$K_2 = (T_{in\ r} - T_{out\ r}) / (T_{in\ b} - T_{out\ b})$
	<p>T_{in r} – average inside temperature for the heating period in the reported year, °C; T_{in b} – average inside temperature for the heating period in the base year, °C; T_{out r} – average outside temperature for the heating period in the reported year, °C; T_{out b} – average outside temperature for the heating period in the base year, °C</p>

Formula 12 – Heated area and building thermal insulation change factor (K₃)	
	$K_3 = [(F_{h\ r} - F_{h\ tr} - F_{h\ nr}) * k_{h\ b} + (F_{h\ nr} + F_{h\ tr}) * k_{h\ n}] / F_{h\ b} * k_{h\ b}$
	<p>F_{h b} – heated area in the base year, m²; F_{h r} – heated area in the reported year, m²; F_{h nr} – heated area of new buildings connected to DH system (assumed with the new (improved) thermal insulation) in the reported year, m²; F_{h tr} – heated area of buildings (previously existed in the base year) with the renewed (improved) thermal insulation in reported year, m²; k_{h b} – average heat transfer factor of heated buildings in the base year, kW/m²*K; k_{h n} – average heat transfer factor of heated buildings with the new thermal insulation (new buildings or old ones with improved thermal insulation), kW/m²*K.</p>

Formula 13 – Heating period duration change factor (K₄)	
	$K_4 = N_{hr} / N_{hb}$
	<p>N_{hb} – duration of heating period in the base year, hours N_{hr} – duration of heating period in the reported year, hours</p>

Formula 14 – Number of customers of the hot water supply service change factor (K₅)	
	$K_5 = n_{wr} / n_{wb}$
	<p>N_{wb} – average number of customers of the hot water supply service in base year; N_{wr} – average number of customers of the hot water supply service in the reported year.</p>

**Formula 15** – Standard specific discharge of hot water per personal account change factor (K_6)

$$K_6 = v_{wr} / v_{wb}$$

v_{wr} – standard specific discharge of hot water per personal account in the reported year (in heat units, kWh/h);
 v_{wb} – standard specific discharge of hot water per personal account in the base year (in heat units, kWh/h).

Formula 16 – Hot water supply period duration change factor (K_7)

$$K_7 = N_{wr} / N_{wb}$$

N_{wr} – duration of hot water supply service in the reported year, hours.
 N_{wb} – duration of hot water supply service in the base year, hours.

Formula 17 – Emissions due to electricity generation to the state grid in amount consumed by an (i) boiler-house with heat supply stations in the base year ($E_{cons(i)}^b$)

$$E_{cons}^b = P_b * CEF_c$$

P_b – electricity consumption by a boiler-house with heat supply stations in the base year, MWh;
 CEF_c – Carbon emission factor for JI projects on reducing electricity consumption in Ukraine, t CO₂e/MWh

Parameters to be monitored

Monitoring specific project approach identifies and takes into account the parameters that are need to be measured or monitored at regular intervals. These parameters will then be input into a project Tracking Database, which will be an Excel based spreadsheet that will track GHG emission reductions annually.

List of parameters to be monitored are in the tables below.

Parameter number and name	1.1. Natural gas consumption at boiler houses
Description	Natural gas consumption at boiler houses. Consumption of fuel is the main parameter affecting greenhouse gas emissions. The most objective and accurate indicator of project performance will therefore be the changes in fuel consumption. Changes in fuel consumption in result of the project implementation, when compared to baseline fuel consumption, will integrate all other relevant indicators such as improvement of boiler efficiency, reduction of network losses, etc.
Monitoring method	Gas flow meters
Recording frequency	Every day
Background data	Instrument readings are registered in the paper journals at every boiler-house.
Calculation method	According to the conservative approach, the volume of consumed natural gas will be corrected by measurement error. Amount of natural gas consumed in the reported year that will be used for Project emissions calculations will be increased by the portion proportional to the level of accuracy of gas flow meter installed at a boiler-house.

Parameter number and name	1.2 Coal consumption at boiler houses
Description	Coal consumption at boiler houses
Monitoring method	Purchasing of coal is realized in accordance with invoices. Consumption of coal is measured by wheelbarrows and pails then recalculated to weight
Recording frequency	Every day
Background data	Coal consumption is registered in the paper journals at every boiler-house. Invoices are filed in special journals.
Calculation method	n.a.



Parameter number and name	2. Electric power consumption
Description	Electric power consumption by the boiler-houses
Monitoring method	Measurement by Electricity supply meters
Recording frequency	Every day
Background data	Instrument readings are registered in the paper journals at every boiler-house.
Calculation method	According to the conservative approach, the volume of consumed electricity will be corrected by measurement error. Amount of electricity consumed in the reported year that will be used for Project emissions calculations will be increased by the portion proportional to the level of accuracy of electricity meter installed at a boiler-houses.

Parameter number and name	3.1. Average annual Calorific Value of Natural Gas
Description	Average annual Calorific Value of Natural Gas calculated by Net calorific Value for every town
Monitoring method	Accepted in accordance with reference or telephone message from natural gas supplier or independent chemical lab analysis report. Independent chemical lab analysis is used in questionable cases. It is used rarely.
Recording frequency	Data is provided by natural gas suppliers usually 3 times per month
Background data	Registered in the paper journal
Calculation method	Weighted average value

Parameter number and name	3.2 Average annual Calorific Value of Coal
Description	Average annual Calorific Value of Coal calculated by Net calorific Value for every town
Monitoring method	Accepted in accordance with quality certificate from coal supplier's or independent chemical lab analysis report. Independent chemical lab analysis is used in contentious cases. It is used rarely.
Recording frequency	Quality certificate is given by coal supplier's for every consignment
Background data	Certificates are filed in special journals
Calculation method	Weighted average value



Parameter number and name	4. Carbon emission factor
Description	Carbon emission factor for different fuels, for JI projects on reducing electricity consumption in Ukraine, for the Ukrainian grid
Monitoring method	Normative documents
Recording frequency	Once per year
Background data	<p>For all fuels the Carbon emission factors are used from the data table provided in IPCC 1996 Guidelines for National Greenhouse Gas Inventories.</p> <p>The values of the carbon emission factors for JI projects on reducing electricity consumption in Ukraine were taken for relevant years according to:</p> <ul style="list-style-type: none"> - Table B2 "Baseline carbon emission factors for JI projects reducing electricity consumption" of Operational Guidelines for PDD's of JI projects. Volume 1: General guidelines Version 2.3. Ministry of Economic Affairs of the Netherlands, 2004 (ERUPT 4, Senter, the Netherlands) - Table 8 "Emission Factors for the Ukrainian grid 2006-2012" of Annex 2 "Standardized Emission Factors for the Ukrainian Electricity Grid" to "Ukraine - Assessment of new calculation of CEF", confirmed by TUV SUD Industrie Service GmbH 17.08.2007; - Orders of the National Environmental Investment Agency of Ukraine # 62 dated 15.04.2011; # 63 dated 15.04.2011; # 43 dated 28.03.2011; # 75 dated 12.05.2011.
Calculation method	n.a.

Parameter number and name	5. Average outside temperature during the heating period
Description	Average daily outside temperature during the heating period
Monitoring method	Average outside temperature during the heating period is calculated by district heating enterprises that implement the project from the daily outside temperature values taken by dispatcher of enterprise from local Meteorological Centre from 10 to 11 a.m. every day of heating period.
Recording frequency	Once per heating period. Daily temperature is registered every day of heating period
Background data	Meteorological Centre sends the Report every decade or month for every day of heating period. Reports are filed in special journals
Calculation method	Average value



Parameter number and name	6. Average inside temperature during the heating period
Description	<p>Average inside temperature during the heating period is calculated from the sum of returned payments caused by insufficient heating (in case of normative level (18 °C) is not satisfied)</p> <p>Above 18 °C – is treated as 18 °C (according to the conservatism principle) and as meeting the normative. Below 18 °C – is treated as not meeting the normative, and is calculated as below.</p>
Monitoring method	Sum of returned payments
Recording frequency	Once per heating period
Background data	Sums of return payment
Calculation method	<p>According to “Rules of rendering of heat and hot water supply service to population” № 1497 from 30.12.1997, the enterprises must make the return payments to population for delivery less than necessary amount of heat. The normative inside temperature should be not lower than 18 °C.</p> <p>Amount of the return payment is:</p> <ul style="list-style-type: none"> – 5% from normative payment for every degree from 18 to 12 °C; – 10% from normative payment for every degree from 12 to 5 °C; – when inside temperature is lower than 5 °C the payment is to be returned completely. <p>Therefore the inside temperature will be calculated by formulae:</p> <p>If $R = 0$ (according to conservative approach for the baseline assume $R < 0.05 \text{ NP}$): $T_{in b} = 18 \text{ } ^\circ\text{C}$.</p> <p>If $0.05 \text{ NP} < R \leq 0.3 \text{ NP}$: $T_{in b} = 18 - (R/5) \text{ } [^\circ\text{C}]$</p> <p>If $0.3 \text{ NP} < R < \text{NP}$: $T_{in b} = 12 - [(R - 0.3 \text{ NP})/10] \text{ } [^\circ\text{C}]$</p> <p>where: R - share of return payment from NP; NP – amount of normative payment.</p> <p>Thus if the inside temperature will be 18 °C or higher, it will be accepted as 18 °C according to conservative approach, and if it will be lower than 18 °C it will be calculated from return payments by the methodology presented before.</p>



Parameter number and name	7. Number of Customers for hot water supply service
Description	Number of Customers for hot water supply service for every boiler houses
Monitoring method	Statistics of district heating enterprises
Recording frequency	Contracts with population, organizations and legal entities are concludes directly with district heating enterprises. They are updated once per year.
Background data	The information is collected in special electronic journals "Registration of income from population" (for inhabitants). For organizations and legal entities such information is taken from contracts concluded with them
Calculation method	The data is taken for January, 01 for every year

Parameter number and name	8. Heating area (Total)
Description	Heating area for every boiler houses
Monitoring method	Statistics of district heating enterprises
Recording frequency	The revise is made in case of new contracts with Customers or in case of contracts break.
Background data	The information is collected at the sale departments of district heating enterprises by the certificates of owners in accordance with technical passport of building. Total area with balconies and stairs and Heating area are displayed in the special journal
Calculation method	The data is taken for January, 01 for every year

Parameter number and name	9. Heat transfer factor of buildings
Description	Heat transfer factor of buildings for every boiler-house
Monitoring method	Statistics of district heating enterprises
Recording frequency	Heat transfer factor is recorded ones per year at recording of connection or disconnection of any heating area to boiler-houses included in project.
Background data	SNiP 2-3-79 (1998)
Calculation method	For calculation of Heat transfer factor of buildings for every boiler-house, the method of Weighted average value was used, that depends on heating area of existing buildings and heating area of the new buildings. Values of the heat transfer factor for existing buildings were taken from SNiP 2-3-79 (1998) - not higher than 0.63. Values of the heat transfer factor of new buildings were taken according to State Buildings Norms (B.2.6-31:2006) - not higher than 0.36.



Parameter number and name	10. Heating area of buildings (previously existed in the base year) with the renewed (improved) thermal insulation in the reported year
Description	Heating area of reconstructed buildings with application of new insulations for walls
Monitoring method	Statistics of district heating enterprises
Recording frequency	Once per year
Background data	Records of district heating enterprises
Calculation method	The data is taken for January, 01 for every year

Parameter number and name	11. Heating area of newly connected buildings (assumed with the new (improved) thermal insulation) in the reported year
Description	Heating area of newly connected buildings with application of the new insulation for walls
Monitoring method	Statistics of district heating enterprises
Recording frequency	Once per year
Background data	Records of district heating enterprises
Calculation method	The data is taken for January, 01 for every year

Parameter number and name)	12. Heat transfer factor of new buildings and buildings with new thermal insulation
Description	Heat transfer factor of buildings with new thermal insulation
Monitoring method	According to State Buildings Norms (B.2.6-31:2006)
Recording frequency	Once per year
Background data	State Buildings Norms B.2.6-31: 2006
Calculation method	n.a.

Parameter number and name	13. Heating period duration
Description	Heating period duration in every town
Monitoring method	Statistics of district heating enterprises
Recording frequency	Once per year
Background data	The duration of the Heating period is accepted in accordance with item 7.9.4 of "Rules of technical exploitation of heating equipment and networks. 2007". Beginning and ending of the heating period are determined in every town separately. The heating period begins if the average daily outside temperature is 8 °C or lower during 3 days, and finishes if average daily outside temperature is 8 °C or higher during 3 days. According to SNiP 2.01.01-84 (Climatology in heating engineering) the duration of heating period for project development is to be taken as 183 days, and usually it is from October,15, till April 15.
Calculation method	n.a.



Parameter number and name	14. Duration of the hot water supply period
Description	Duration of the period of hot water supply service for every boiler house.
Monitoring method	Statistics of district heating enterprises
Recording frequency	Once per day
Background data	Hot water supply service is realized by hot water delivery schedule for every town.
Calculation method	n.a.

Parameter number and name	15. Maximum connected load to the boiler-house, that is required for heating
Description	Maximum connected load to the boiler-house, that is required for heating.
Monitoring method	Statistics of district heating enterprises
Recording frequency	Once per year .
Background data	Maximum connected load to the boiler-house, that is required for heating, is calculated by district heating enterprises for every heating period. It is calculated according to heat demand at following outside temperatures [KTM 204 Ukraine 244-94, Annex 1]: Dnipropetrivsk – (-23) °C Pyatyhatky - (-24) °C Pavlograd - (-24) °C Pokrovka - (-23) °C Sofiiivka - (-23) °C Vasylkivka - (-24) °C Pereschepyno - (-24) °C Verhnedniprovs'k - (-22) °C Nikopol - (-23) °C Solone - (-23) °C Petrykivka - (-23) °C Ordzhonikidze - (-23) °C Novomoskovsk - (-23) °C Dniprodzerzhinsk - (-24) °C
Calculation method	n.a.

Parameter number and name	16. Connected load to the boiler-house, that is required for hot water supply service
Description	Connected load to the boiler-house, that is required for providing the hot water supply service
Monitoring method	Statistics of district heating enterprises
Recording frequency	Once per year .
Background data	Connected load to the boiler-house, that is required for hot water supply service, is calculated by district heating enterprises every



	year according to contracts with consumers.
Calculation method	n.a.

Parameter number and name	17. Standard specific discharge of hot water per personal account
Description	Standard specific discharge of hot water per personal account
Monitoring method	Normative documents
Recording frequency	Once per year
Background data	At present the standard specific discharge of hot water is valid in Ukraine that was established by the “KTM 204 Ukraine 244-94”, and no information is available on any propositions to change it.
Calculation method	n.a.

Scheme of monitoring system

The control and monitoring system comes to fuel consumption measurement. Other parameters are defined by calculations or taken from statistic data. Fuel consumption measurement is realized at the Gas distributing units of the boiler-houses. Gas registration is carrying out in volume units reduced to standard conditions by means of automatic correction for temperature and pressure. The scheme of typical Gas distribution unit is shown at the Fig. An3-1.

The typical Gas distributing system usually consists of the following equipment:

- Gas filter;
- Control and measuring devices for gas operation pressure measurement and control of pressure difference at the gas filter;
- Gas flow meter;
- stop valve;
- bypass facility.

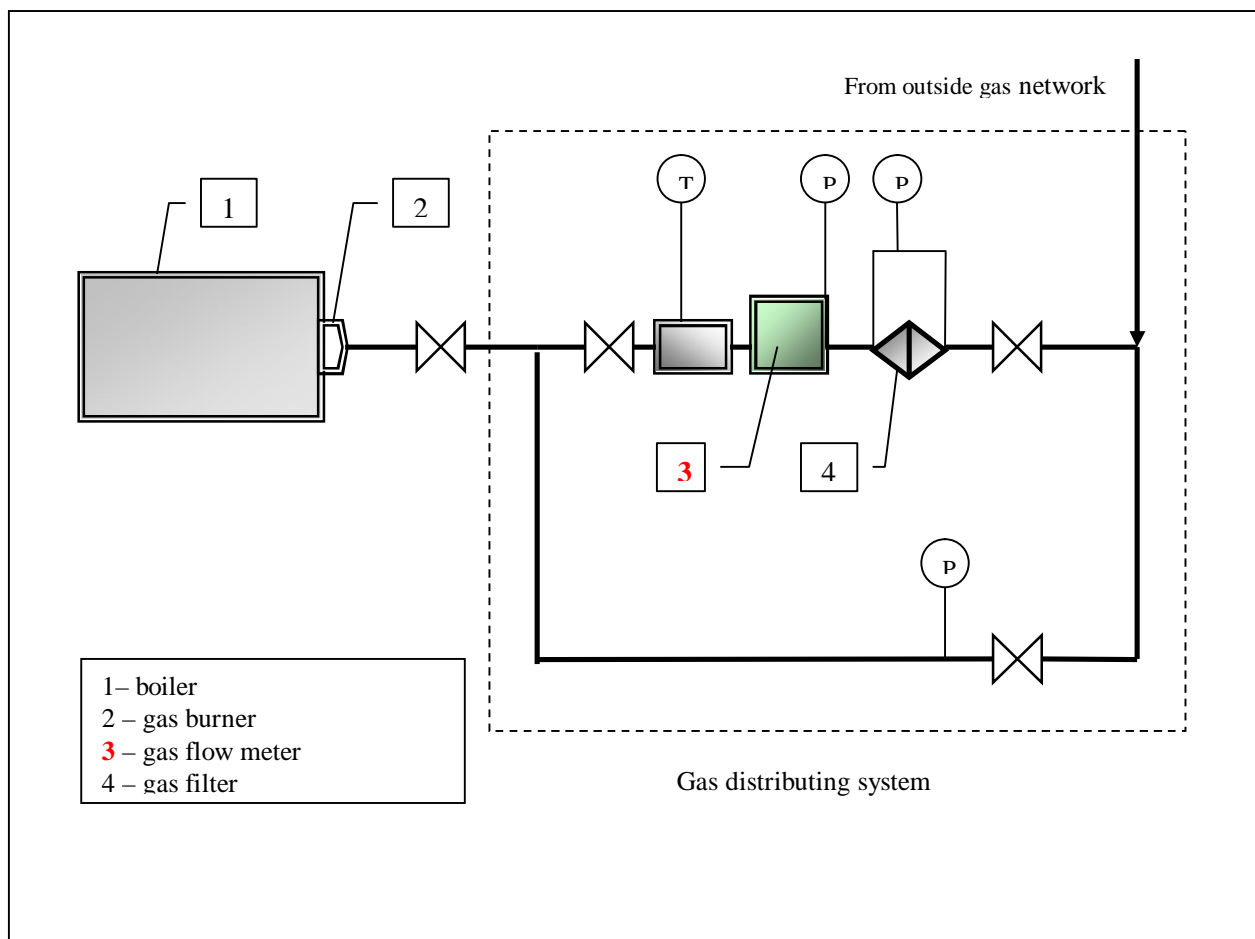


Fig. An3-1. Scheme of the Gas distribution system

Monitoring equipment

The equipment to be used by the project executor for monitoring of the relevant parameters are summarized in Table An3-1. The table also provides information on equipment type, calibration and procedures to follow in case of equipment failure.

ID number and data variable	Equipment	Accuracy	Calibration	Frequency	Procedure in case of failure
1.1. Natural Gas consumption	Gas flow meters	+/- (0.5...2)% Usually 1%	PE «Atamanchuk», “Derzhspozhivstandart” of Ukraine.	Once per from 1 to 5 years, usually two years	Failure should be firstly reported to the Project manager or Chief Engineer. If failure is not removed within 48 hrs, the equipment supplier should be ordered for repair. If repair is not possible, equipment should be replaced by equivalent item. Failure events will be recorded in the site events log book.
18. Power consumption	Electricity supply meters	+/- (0.2...0.5) % Usually 0.2%	«Dnipropetrovsk municipal electricity network »	Once per from 4 to 16 years, according to passport	Failure should be firstly reported to the Project manager or Chief Engineer. If failure is not removed within 48 hrs, the equipment supplier should be ordered for repair. If repair is not possible, equipment should be replaced by equivalent item. Failure events will be recorded in the site events log book.

Table An3-1. Monitoring equipment

Level of uncertainty and errors

Possible uncertainties and errors for such type project may arise from two main reasons: measurement and stipulation. Measurement error is due to metering equipment inaccuracies. Stipulation occurs when some values are required to complete calculations, but these values cannot be measured directly. In these cases estimates are used in place of actual measurements, and therefore error may be introduced. The stipulation error itself may be estimated based on the expected accuracy of the stipulated values.



The project error can be calculated from the two error components described above. The total project error (Standard Error, SE) can be calculated by taking the square root of the sum of the squares of the individual error components, as below:

$$SE = \sqrt{[(\text{measurement error})^2 + (\text{stipulation error})^2]}$$

The monitoring plan developed for this project does not rely on any estimates and is therefore free of any stipulation errors.

$$\text{Thus, } SE = \sqrt{[(\text{measurement error})^2 + (0)^2]} = (\text{measurement error})$$

Although the project has 18 monitoring parameters, only 2 of them (volume of natural gas consumption, power consumption) is measured directly. The remaining monitoring parameters used in calculation of the baseline and project line emissions are taken as statistic data. Furthermore, they are used for adjustment factors calculation. Calculations of adjustment factors are based on reported and base year parameters ratio. For example, temperature change factor is calculated as ratio of inside and outside temperature differences in reported and base years: $K_2 = (T_{in r} - T_{out r}) / (T_{in b} - T_{out b})$. Therefore any error in statistic data will be cancelled.

For the two monitoring parameters, the measurement errors (maximal values) which impact on the Standard Error and their level of accuracy are presented in Table An3-2.

ID number and data variable	Measurement error (maximal)	Comment
1.1 Natural Gas consumption	± 1.0%	Accuracy of data is high due to necessity of information for commercial account purposes.
18. Power consumption	± 0.5%	Accuracy of data is high due to necessity of information for commercial account purposes.

Table An3-2. Measurement errors



Monitoring of environmental impacts

As the project involves rehabilitation of an existing district heating network leading to an improvement of energy efficiency and therefore better environmental performance of the system, and is not a new build project, no negative environmental impacts are expected, and therefore no formal environmental impact assessment is required by the relevant Ukrainian authorities.

There is therefore no need to monitor specified environmental impact indicators during implementation and operation of the project activities.

Project management planning

The overall responsibility for the project management and implementation is carried out by the Head of the Board of OJSC “Oblteplocomunenergo”, Mr. Yuriy Barbarov, and appointed responsible persons led by Mr. Valeriy Derevianko, General director of RME “Dniproteploenergo”. The staff of PTD of district heating enterprises that implement the project is responsible for project activity.

Compliance of the project activity with the operational requirements is constantly controlled by responsible staff of a boiler-house, and according to their reports – by PTD.

Possible bottlenecks and mistakes in project implementation should be identified and solved by responsible staff of PTD.

Responsibilities for data collection

The Head of the Board of OJSC “Oblteplocomunenergo”, Mr. Yuriy Barbarov, appointed a responsible person, Ms. Elena Bardina, for the implementation and management of the monitoring process at the district heating enterprises that implement the project. Ms. Elena Bardina is responsible for supervising data collection, measurements, data recording and storage.

Dr. Dmitri Paderno, the vice director of Institute of Engineering Ecology, is responsible for baseline and monitoring project specific approach development.

Ms. Kateryna Korinchuk, engineer of Institute of Engineering Ecology, is responsible for data processing.

Data collection for fuel consumption is providing in the following way:

1. All boiler-houses are equipped with gas flow meters.
2. Operators of all boiler-houses register the instrument readings in the paper journals “Journal of registration of boiler-house’s operation parameters” every day.
3. At the boiler-houses that are not equipped with gas volume correctors (at present about 2% of the total number of boiler-houses), operators register parameters of gas: temperature and pressure in these journals every 2 hours. These parameters are used to bring gas consumption to normal conditions.
4. Every day operators transfer values of gas consumption to Production-Technical Department (PTD) by phone, where they are storing and used for payments with gas suppliers.

Collected data are to be submitted for verification according to paragraph 37 of the JI guidelines are to be stored during two years after the end of the crediting period, according to the Order #14a dated 04.10.2010, on formation of the operational team and storage term of documents.

Scheme of data collection for Monitoring Report is shown at the Fig. An3-2.

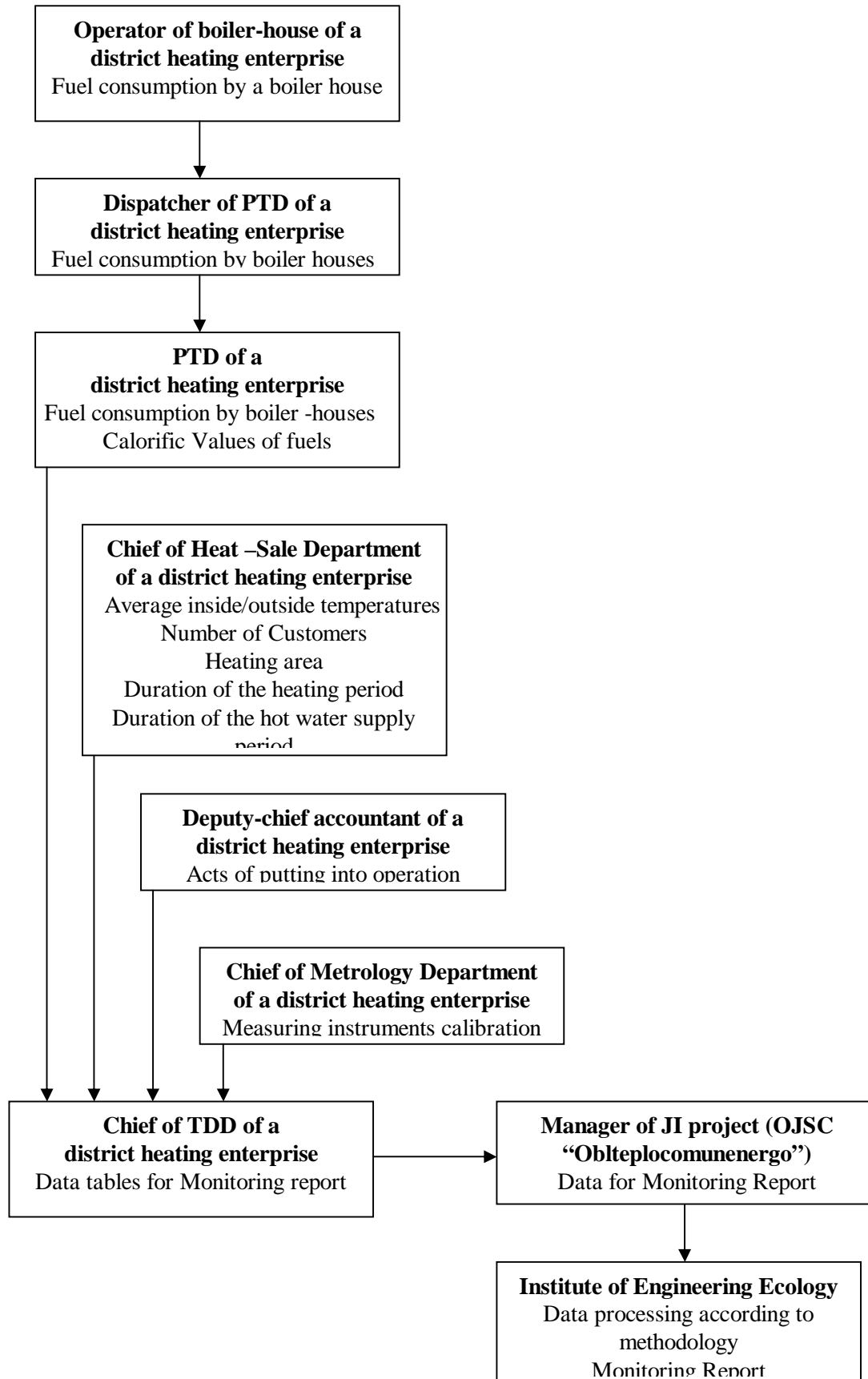


Fig.An3-2. Scheme of data collection for Monitoring Report



Trainings

As far as the main activity of district heating enterprises that implement the project will not change in course of the JI project implementation, the special technical trainings for personnel are not necessary. The technical personnel of the enterprise has sufficient knowledge and experience for implementation of the project activity and maintenance of the usual equipment.

District heating enterprises that implement the project provide personnel retraining according to protection of labour norms. The enterprises have the Labour protection department, which is responsible for raising the level of personnel skills and trainings.

In course of the JI project development, specialists of Institute of Engineering Ecology and carried out a comprehensive consultations and trainings for involved representatives of OJSC “Oblteplocmunenergo” and other enterprises on the necessary data collection according to Monitoring plan for the project. The special training is scheduled to be held before the development of the Monitoring report.

The responsible staff of the Production-Technical Service of district heating enterprises are involved in this process.

Responsibilities for data management

All collected data will be transferred to Elena Bardina, who will be responsible for data monitoring and reporting. Kateryna Korinchuk will be responsible for the data processing according to specific project approach and for development of Monitoring Report. Support in coordination of verification process will be undertaken by Dmitry Paderno. Responsibilities for data management are presented in Table An3-3.

Activity	Responsible person	
	Name	Position and department
Data monitoring and reporting, coordination of verification process	Elena Bardina	Head of the Legal security of economic activity Department of OJSC “Oblteplocmunenergo”
Data monitoring and reporting, coordination of verification process	Valeriy Derevianko	General director of RME “Dniproteploenergo”
Data storage and archiving, filling up the spreadsheets for Monitoring Report	Ruslan Severin	Engineer of RME “Dniproteploenergo”
Data processing according to methodology, development of Monitoring Report	Kateryna Korinchuk	Engineer of Institute of Engineering Ecology, Ltd
Support in coordination of verification process	Dmytro Paderno	Deputy Director of Institute of Engineering Ecology, Ltd

Table An3-3. Responsibilities for data management